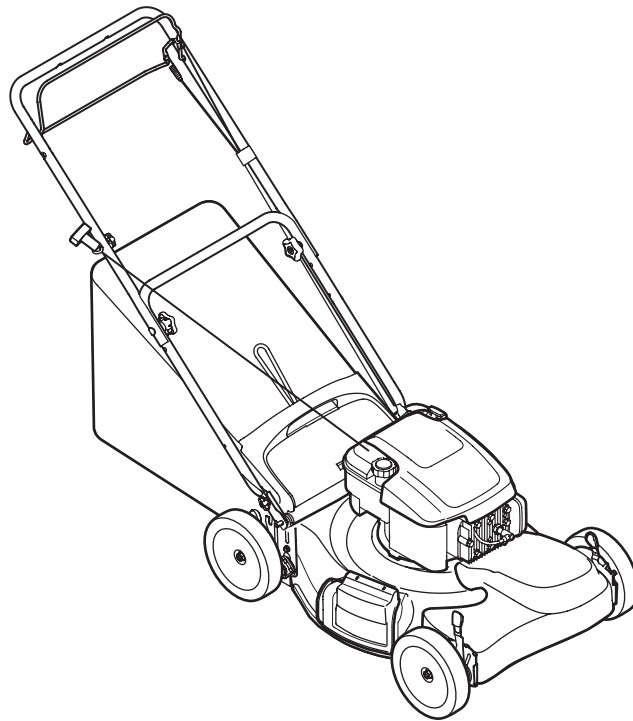




ILLUSTRATED PARTS MANUAL



Self-Propelled Mowers

TROY-BILT LLC, P.O. BOX 361131 CLEVELAND, OHIO 44136-0019

To The Owner

Thank You

Thank you for purchasing an MTD Lawn Mower. It was carefully engineered to provide excellent performance when properly operated and maintained.

All information in this manual is relative to the most recent product information available at the time of printing. Please be aware that this Illustrated Part's Manual may cover a range of product specifications for various models.

Components listed and/or illustrated in this manual may not be applicable to all models. We reserve the right to change product specifications, designs and equipment without notice and without incurring obligation.

Throughout this manual, all references to *right* (RH) and *left* (LH) are observed from the operating position.

Table of Contents

[Model TB230/240 \(12AVB2A/B\)..... 4](#)
[Model TB280 ES \(12AGA2A\)..... 6](#)
[Model TB360 \(12ABD3B\)..... 8](#)

Record Product Information

To ease in ordering replacement parts, please locate the model plate on the equipment and record the information in the provided area to the right. You can locate the model plate by looking beneath the seat.

MODEL NUMBER

--	--	--	--	--	--	--	--	--	--	--	--

SERIAL NUMBER

--	--	--	--	--	--	--	--	--	--	--	--

Painted Parts

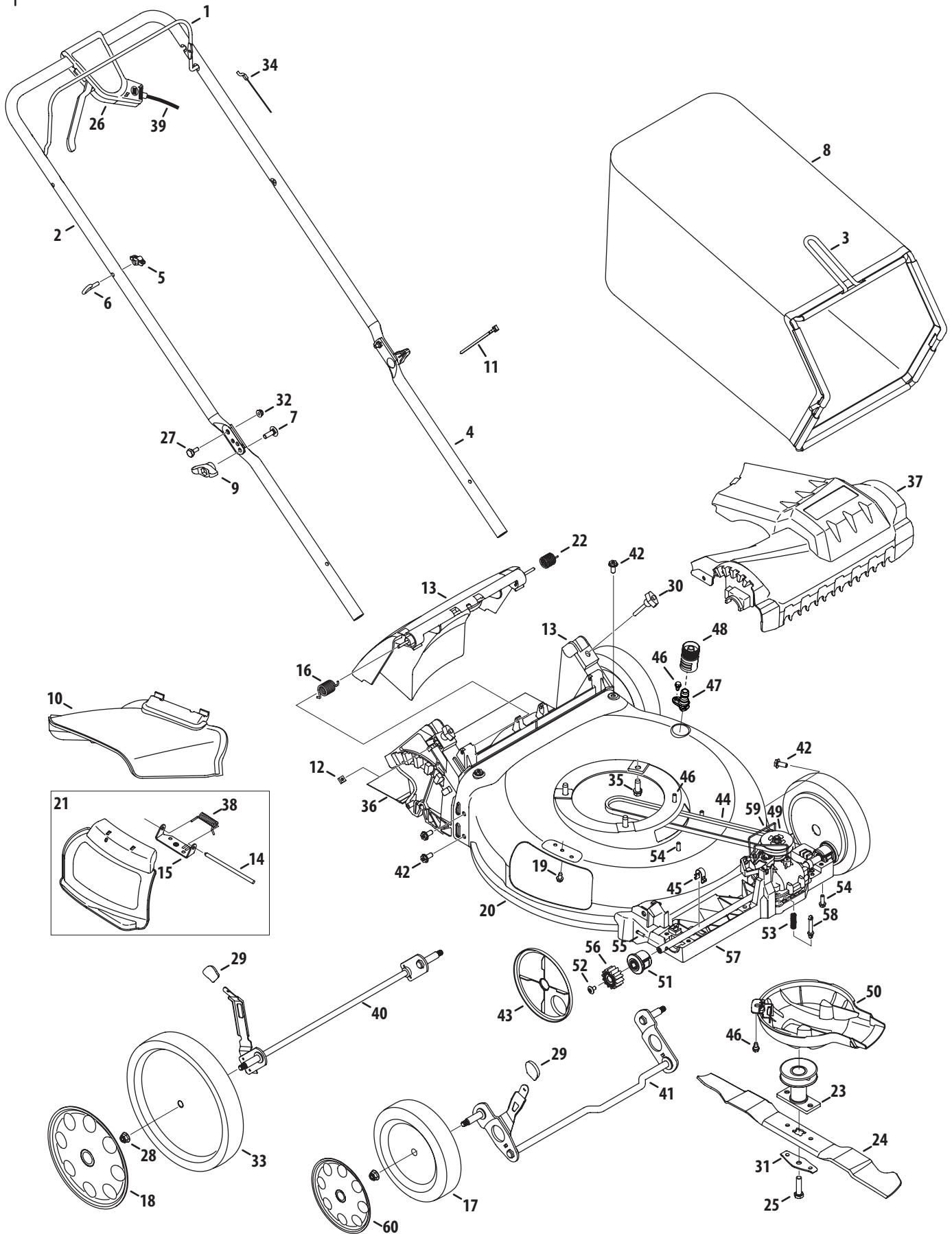
When ordering painted service parts, a four digit color suffix must be added to the part number (e.g. 783-XXXXX-0637). Please refer to the table below for current color codes:

0637	Black
0709	Dark Green (Bolens, Yard-Man)
0662	Oyster Gray (MTD Gold)
0638	Red (Yard Machines, Huskee, Troy-Bilt, MTD)
0691	Black Jack (MTD Gold, MasterCut)

0674	Yellow (Yard-Man)
0650	Metallic Red (White Outdoor)
0629	Silver Flake (MTD Platinum)
04038	Day Orange (Daedong)
04033	Flint Mica (Troy-Bilt XP)

Page Left Blank Intentionally

Model TB230/240 (12AVB2A/B)

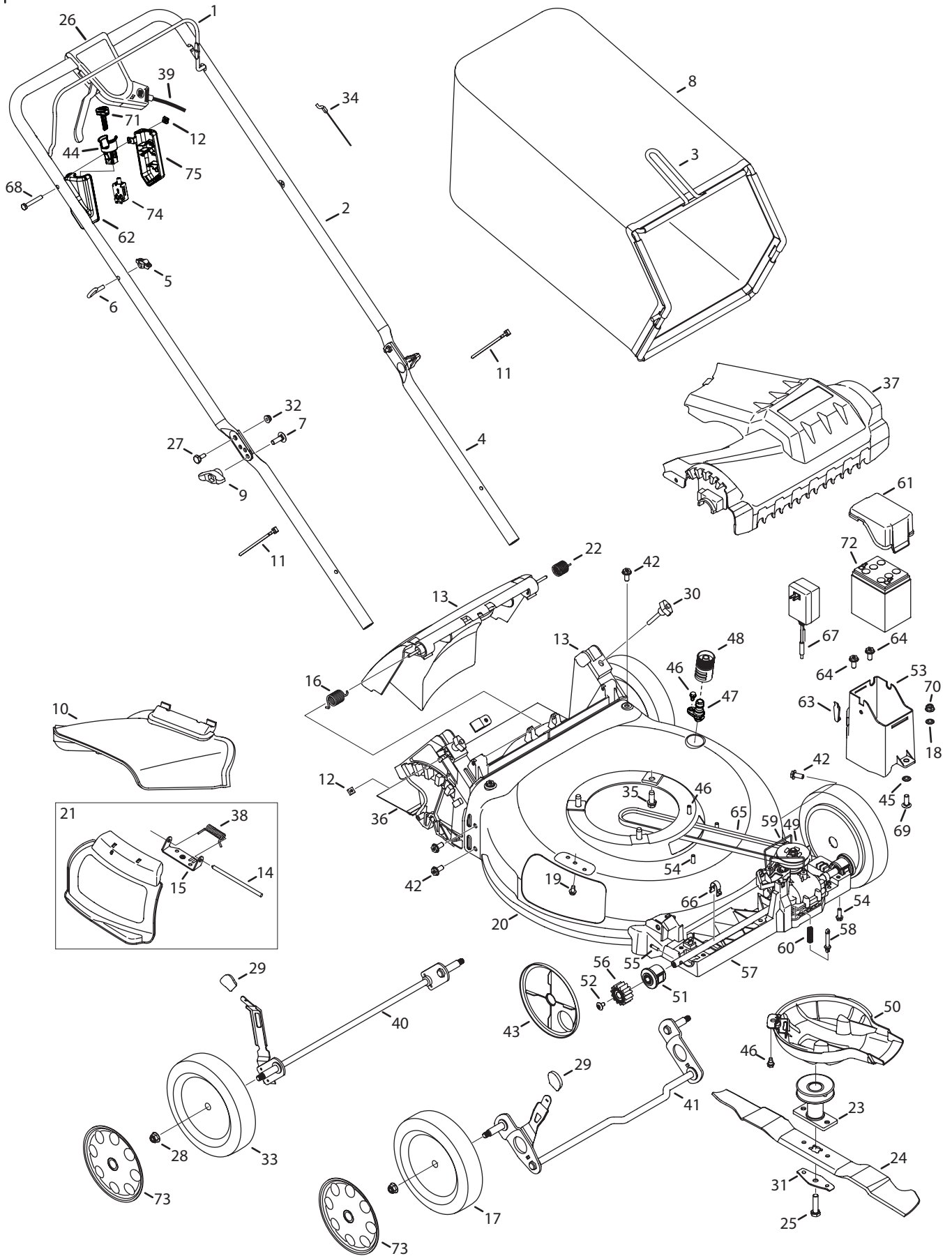


Model TB230/240 (12AVB2A/B)

Ref No.	Part Number	Description
1	747-05267C	Blade Control
2	749-04679	Upper Handle
3	647-04271	Grass Catcher Frame
4	749-04608A	Lower Handle
5	720-0279	Wing Nut
6	710-1205	Rope Guide
7	710-04998	Carriage Screw ,5/16-18
8	964-04117B	Grass Bag
9	720-04124	Wing Knob
10	731-07486	Side Chute
	731-07131	Side Chute
11	725-0157	Cable Tie
12	712-04222	Nut, Sq., 1/4-20
13	631-04567A	Rear Discharge Door Assembly
	631-04371A	Rear Discharge Door Assembly
14	747-0710A	Hinge Pin
15	787-01779	Chute Deflector Bracket
16	732-05061A	Torsion Spring - RH
17	634-05039	Front Wheel
18	731-07199	Hubcap
19	710-05073	Screw, 1/4-20 x .500
20	787-01872C	Deck, 21"
21	687-02584A	Hinged Mulch Plug Assembly
	987-02516A	Hinged Mulch Plug Assembly
22	732-05062A	Torsion Spring - LH
23	687-02528	Blade Adapter Assembly
24	942-0741A	Mulching Blade
25	710-1044	Screw , 3/8-24 x 1.50
26	753-06060A	Control Lever Assembly
27	738-04419A	Sldr. Screw, .375 x .126 x 1/4-20
28	712-04217	Flange Lock Nut, 3/8-16
29	720-04131A	Adjustment Lever Knob

Ref No.	Part Number	Description
30	720-05066A	Wing Nut, Black
31	736-0524B	Blade Bell Support
32	712-04064	Nut, Flange Lock, 1/4-20
33	634-05063	Rear Wheel
34	946-04661A	Control Cable
35	710-04683C	TT Sems Screw, 3/8-16 x 1.0
36	731-07203	Trail Shield
37	731-07790	Front Cover
38	732-1014C	Torsion Spring
39	946-04655A	Variable Speed Cable
40	911-04144B	Rear Axle Assembly
41	911-04150	Front Axle Assembly
42	710-04995A	Screw, 5/16-14 x .750
43	731-07240A	Wheel Dust Cover
44	954-04260	V-Belt
45	787-01793	Front Axle Clip
46	738-04502	Shoulder Screw, 1/4-20 x 0.50
47	731-07487	Water Nozzle
48	921-04041	Water Nozzle Adapter
49	918-04881A	Transmission Assembly
50	931-04535B	Engine Baffle
51	941-00019	Bearing Assembly
52	710-04531	Screw, 1/4-20 x .390
53	732-04704	Compression Spring
54	710-0895	Screw, 1/4-15 x .750
55	715-04099	Dowel Pin
56	917-04801	Spur Gear, 14T - RH
	917-04802	Spur Gear, 14T - LH
57	731-07789	Lower Tray
58	731-07355	Spring Body
59	732-04675A	Transmission Wire
60	731-07198	Hubcap, 8"

Model TB280 ES (12AGA2A)

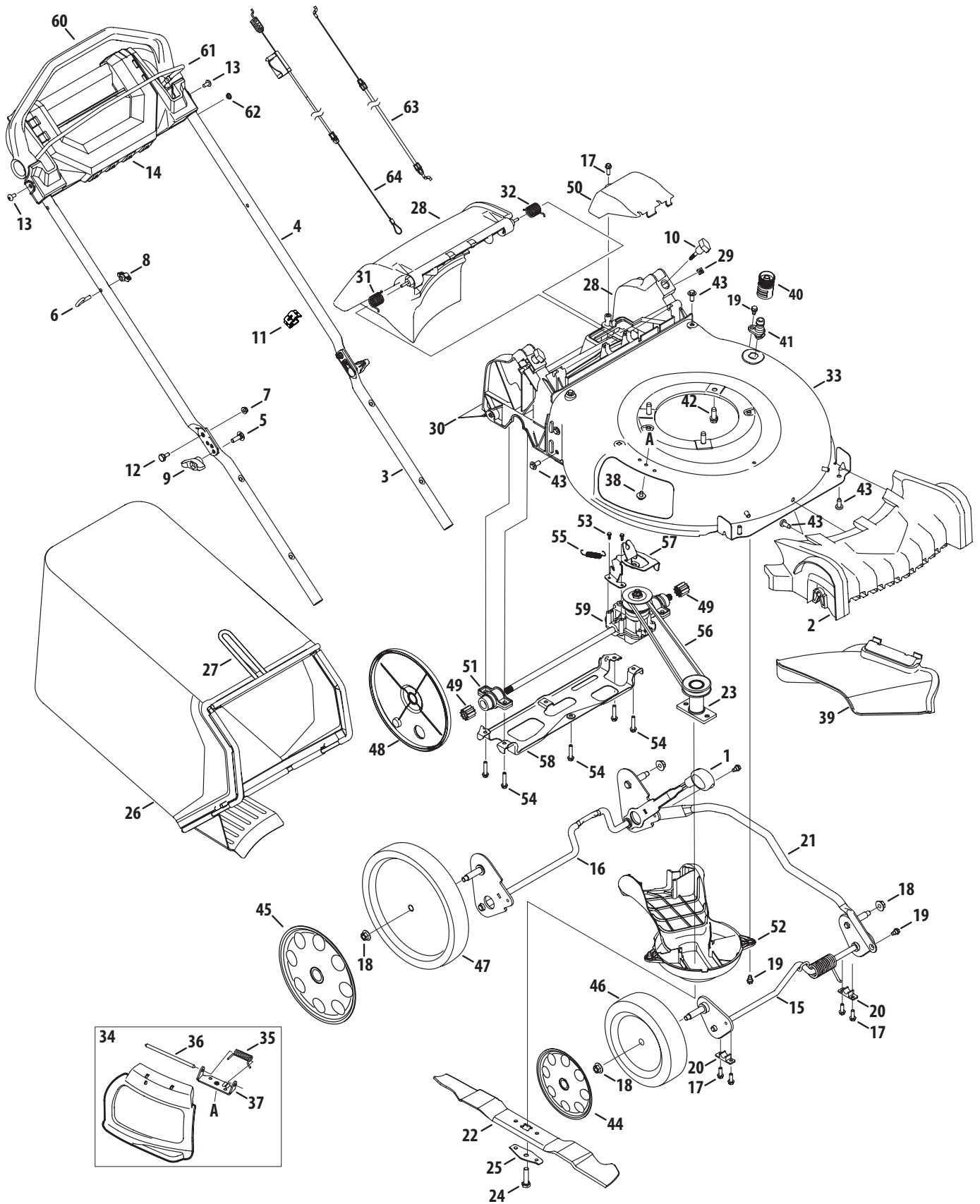


Model TB280 ES (12AGA2A)

Ref No.	Part Number	Description
1	747-05267C	Blade Control
2	749-04679	Upper Handle
3	647-04271	Grass Catcher Frame
4	749-04608A	Lower Handle
5	720-0279	Wing Nut
6	710-1205	Rope Guide
7	710-04998	Carriage Screw ,5/16-18
8	964-04117B	Grass Bag
9	720-04124	Wing Knob
10	731-07131	Side Chute
11	725-0157	Cable Tie
12	712-04222	Nut, Sq., 1/4-20
13	631-04371A	Rear Discharge Door Assembly
14	747-0710A	Hinge Pin
15	787-01779	Chute Deflector Bracket
16	732-05061A	Torsion Spring - RH
17	634-05039	Front Wheel
18	736-0242	Washer, Bell, .340 x .872 x .080
19	710-05073	Screw, 1/4-20 x .500
20	787-01875C	Deck , 21"
21	987-02516A	Hinged Mulch Plug Assembly
22	732-05062A	Torsion Spring - LH
23	687-02528	Blade Adapter Assembly
24	942-0741A	Mulching Blade
25	710-1044	Screw , 3/8-24 x 1.50
26	753-06060A	Control Lever Assembly
27	738-04419A	Sldr. Screw, .375 x .126 x 1/4-20
28	712-04217	Flange Lock Nut, 3/8-16
29	720-04131A	Adjustment Lever Knob
30	720-05066A	Wing Nut
31	736-0524B	Blade Bell Support
32	712-04064	Nut, Flange Lock, 1/4-20
33	634-04660	Rear Wheel
34	946-04661A	Control Cable
35	710-04683C	TT Sems Screw, 3/8-16 x 1.0
36	731-07203	Trail Shield
37	731-07790	Front Cover
38	732-1014C	Torsion Spring
39	946-04655A	Drive Cable

Ref No.	Part Number	Description
40	911-04142A	Rear Axle Assembly
41	911-04150	Front Axle Assembly
42	710-04995A	Screw, 5/16-14 x .750
43	731-07240A	Wheel Dust Cover
44	931-05131A	Key Switch
45	726-0201	Speed Nut
46	738-04502	Shoulder Screw, 1/4-20 x 0.50
47	731-07487	Water Nozzle
48	921-04041	Water Nozzle Adapter
49	918-04881A	Transmission Assembly
50	931-04535B	Engine Baffle
51	941-00019	Bearing Assembly
52	710-04531	Screw, 1/4-20 x .390
53	731-07135	Battery Housing
54	710-0895	Screw, 1/4-15 x .750
55	715-04099	Dowel Pin
56	917-04801	Spur Gear, 14T - RH
	917-04802	Spur Gear, 14T - LH
57	731-07789	Lower Tray
58	731-07355	Spring Body
59	732-04675A	Transmission Wire
60	732-04704	Compression Spring
61	731-07154A	Battery Housing Top
62	731-09753B	Electric Start Housing, RH
63	735-04213B	Lid Seal
64	738-04431A	Scr., Sldr., 5/16-14 x .972
65	954-04260	V-Belt
66	787-01793	Front Axle Clip
67	725-06121A	Battery Charger
68	710-0136	Screw, 1/4-20 x 1.75
69	710-0276	Bolt, Carr., 5/16-18 x 1.00
70	912-0429	Nut, FlgJlk., 5/16-18
71	731-09728	Key
72	725-04903	Battery
73	731-07198	Hubcap, 8"
74	725-06114	Plunger Switch
75	731-09755	Electric Start Housing, LH
—	925-06140B	Wire Harness (Not Shown)

Model TB360 (12ABD3B)



Model TB360 (12ABD3B)

Ref No.	Part Number	Description
1	720-04113	Adjustment Lever Knob
2	931-10334	Front Cover
3	749-04608A	Lower Handle
4	749-05084	Upper Handle
5	710-04998	Carriage Screw ,5/16-18
6	710-1205	Rope Guide
7	712-04064	Nut, Flange Lock, 1/4-20
8	720-0279	Knob
9	720-04124	Wing Knob
10	720-05066A	Wing Nut
11	731-08454	Conduit Clip
12	738-04419A	Sldr. Screw, .375 x .126 x 1/4-20
13	710-1017	Screw, 1/4-14 x .625
14	931-09823A	Handle Console
15	911-04191B	Front Axle Assembly
16	911-04192	Rear Axle Assembly
17	710-0895	Screw, 1/4-15 x .750
18	712-04217	Flange Lock Nut, 3/8-16
19	738-04502	Shoulder Screw, 1/4-20 x 0.50
20	741-0492A	Bushing, Lock, .505 Dia. X .62
21	949-04840B	Cross Bracket
22	942-0741A	Mulching Blade
23	687-02220	Blade Adapter
24	710-1044	Screw, 3/8-24 x 1.50
25	736-0524B	Blade Bell Support
26	964-04150B	Grass Bag
27	747-05362A	Grass Catcher Frame
28	631-04514A	Rear Discharge Door Assembly
29	712-04222	Nut, Sq., 1/4-20
30	731-07203	Trailing Shield
31	732-05061A	Torsion Spring - RH
32	732-05062A	Torsion Spring - LH

Ref No.	Part Number	Description
33	787-02002A	Deck, 21"
34	987-02516A	Mulch Plug (Incl. 35-37)
35	732-1014C	Torsion Spring
36	747-0710A	Hinge Pin
37	787-01779	Chute Deflector Bracket
38	710-05073	Screw, 1/4-20 x .500
39	731-07131	Side Discharge Chute
40	921-04041	Water Nozzle Adapter
41	731-07487	Water Nozzle
42	710-04683C	Screw, 3/8-16 x 1.00
43	710-04995A	Screw, 5/16-14 x .750
44	731-07198	Hubcap, 8"
45	731-07199	Hubcap, 11"
46	634-04660	Front Wheel
47	934-04666	Rear Wheel
48	731-07731C	Wheel Dust Cover
49	917-04849	Spur Gear, 9T
50	731-08175	Transmission Cover
51	631-04501A	Bearing Assembly
52	631-04512C	Engine Baffle
53	710-04374	Screw, Hex Washer, .159 x .43
54	710-04774	Screw, 1/4-15 x 1.25
55	732-05150A	Exten. Spring, 2.405
56	954-04282	V-Belt
57	787-01868A	Transmission Bracket
58	787-01915A	Rear Support Bracket
59	918-07000	Transmission Assembly
60	731-09730A	Drive Handle
61	747-06243	Blade Control
62	748-05047	Shoulder Spacer, .18 x .315 x .09
63	946-05107A	Control Cable
64	946-05121A	Drive Cable

To order replacement parts or locate your nearest service dealer call Customer Support at (800) 828-5500.
or visit www.troybilt.com to find the nearest authorized dealer in your area.

TROY-BILT LLC, P.O. BOX 361131 CLEVELAND, OHIO 44136-0019
