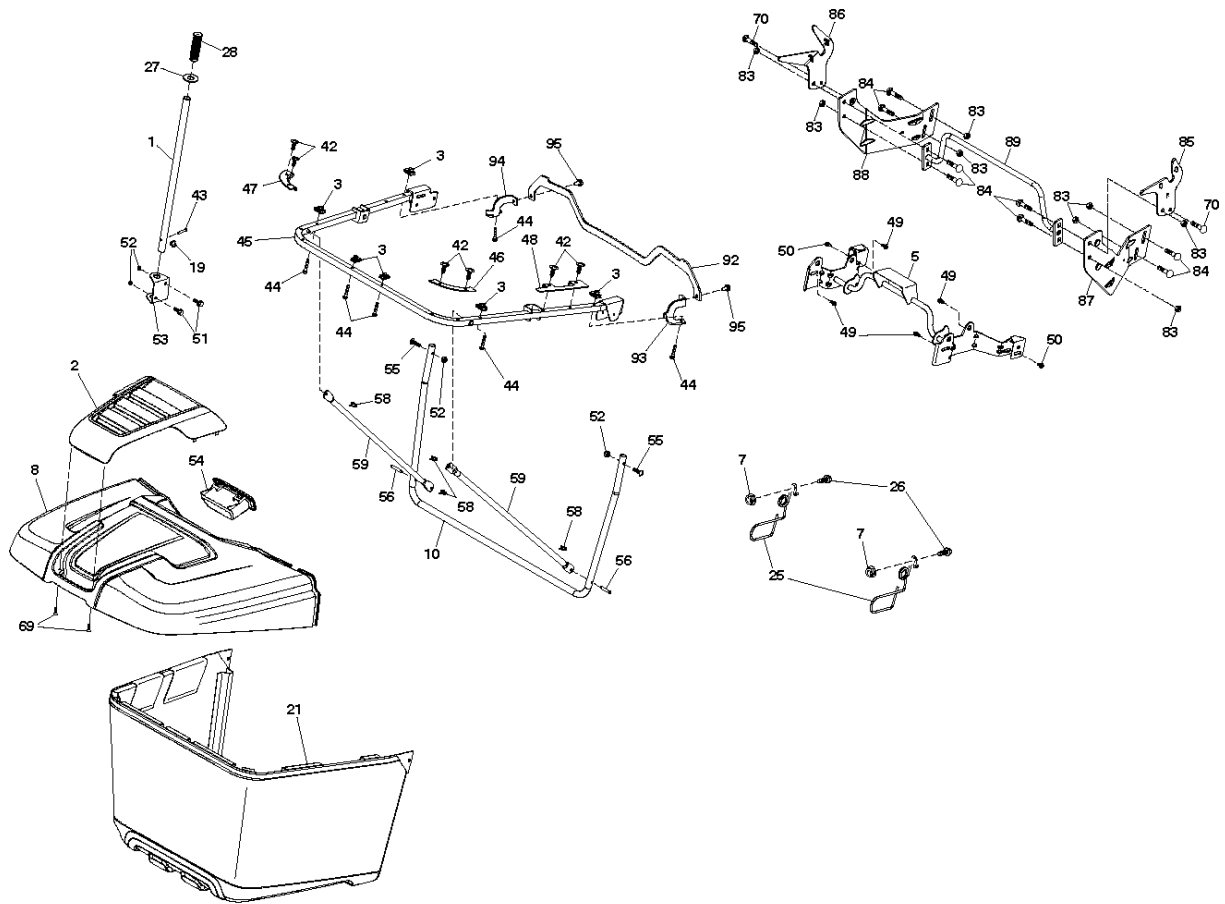




SPARE PARTS LIST

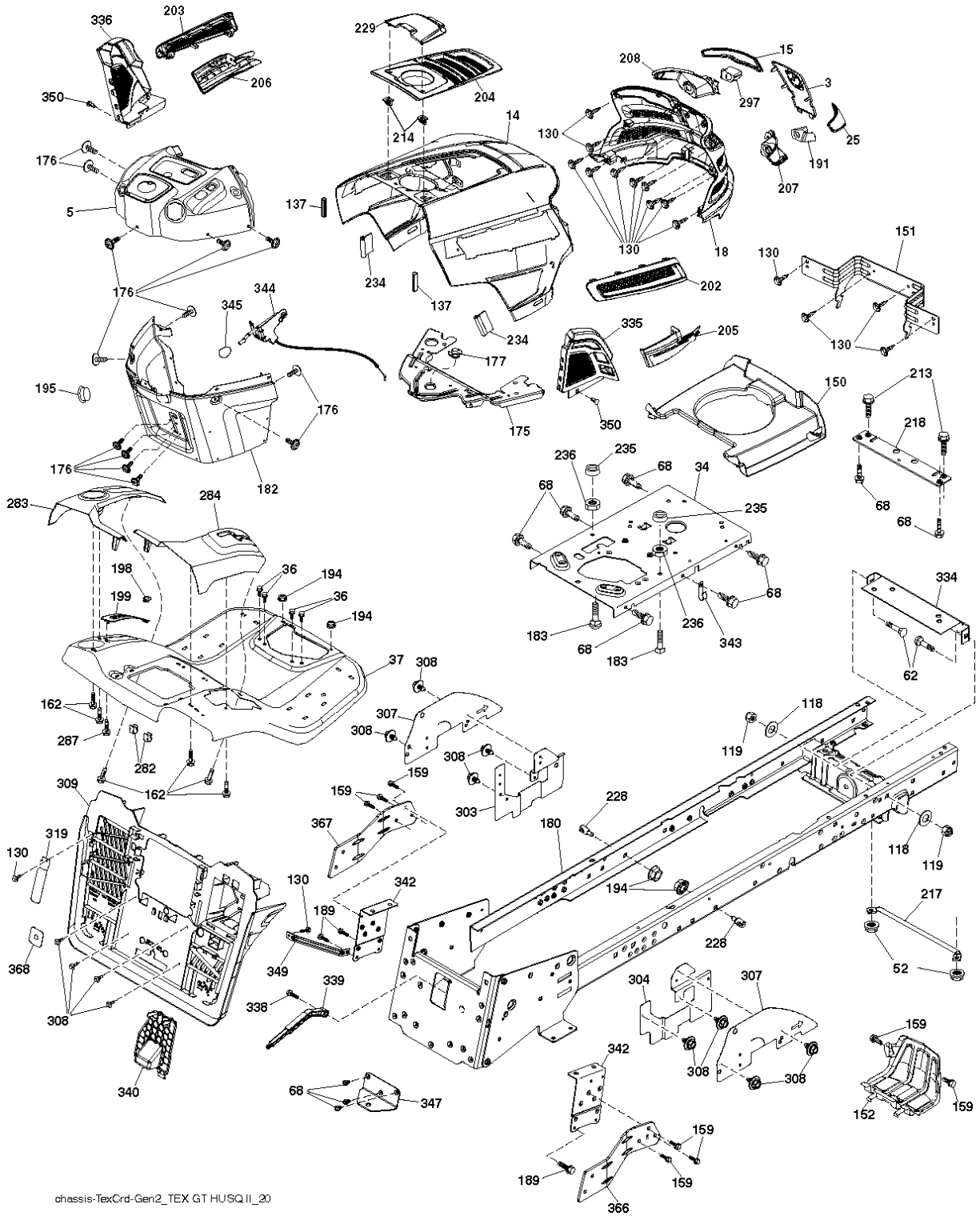
TRACTORS/RIDE MOWERS

TC 342, 96051012900, 2014-08



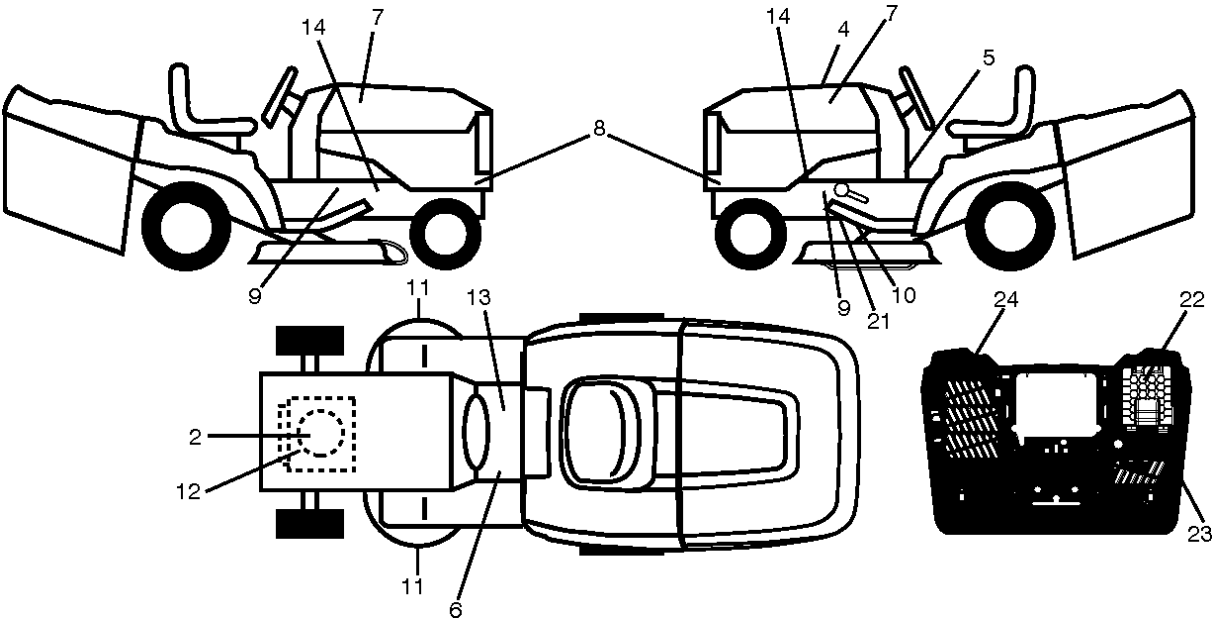
Bagger_TexCRD-Gen2_6_r1

| Ref | Part No | Description | Remark | QTY KIT |
|-----|--------------|-------------|--------|---------|
| 1 | 532 42 86-10 | TUBE | | 1 |
| 2 | 532 44 75-72 | COVER | | 1 |
| 3 | 532 17 48-14 | NUT | | 1 |
| 5 | 532 44 37-62 | FRAME | | 1 |
| 7 | 873 90 04-00 | NUT | | 1 |
| 8 | 532 44 75-75 | COVER | | 1 |
| 10 | 532 44 37-55 | FRAME | | 1 |
| 19 | 532 19 42-08 | PIN | | 1 |
| 21 | 532 44 59-43 | BAG FRAME | | 1 |
| 25 | 532 44 55-28 | LATCH | | 1 |
| 26 | 817 49 04-12 | SCREW | | 1 |
| 27 | 532 44 55-29 | GROMMET | | 1 |
| 28 | 532 16 57-87 | HANDLE | | 1 |
| 42 | 532 44 04-28 | CLIP | | 1 |
| 43 | 532 12 68-75 | RIVET | | 1 |
| 44 | 532 19 96-87 | SCREW | | 1 |
| 45 | 532 44 37-54 | FRAME | | 1 |
| 46 | 532 44 55-41 | CONNECTOR | | 1 |
| 47 | 532 44 40-79 | CONNECTOR | | 1 |
| 48 | 532 44 40-80 | BAFFLE | | 1 |
| 49 | 532 17 18-73 | BOLT | | 1 |
| 50 | 532 17 18-77 | BOLT | | 1 |
| 51 | 872 11 05-06 | BOLT | | 1 |
| 52 | 873 80 05-00 | LOCK NUT | | 1 |
| 53 | 532 44 41-95 | BRACKET | | 1 |
| 54 | 532 44 72-18 | HANDLE | | 1 |
| 55 | 872 14 05-12 | BOLT | | 1 |
| 56 | 532 42 03-06 | CLEVIS PIN | | 1 |
| 58 | 532 08 51-79 | CLIP | | 1 |
| 59 | 532 44 47-63 | TUBE | | 1 |
| 69 | 532 42 18-01 | SCREW | | 1 |
| 70 | 817 00 06-12 | SCREW | | 1 |
| 83 | 873 80 06-00 | NUT | | 1 |
| 84 | 872 11 06-08 | BOLT | | 1 |
| 85 | 581 31 44-02 | BRACKET | | 1 |
| 86 | 581 31 43-02 | BRACKET | | 1 |
| 87 | 581 31 48-02 | BRACKET | | 1 |
| 88 | 581 31 47-02 | BRACKET | | 1 |
| 89 | 581 31 51-04 | TUBE ASSY | | 1 |
| 92 | 586 05 23-02 | BRACKET | | 1 |
| 93 | 586 05 24-02 | BRACKET | | 1 |
| 94 | 586 05 25-02 | BRACKET | | 1 |
| 95 | 817 00 05-12 | SCREW | | 1 |



| Ref | Part No | Description | Remark | QTY KIT |
|-----|--------------|---------------------------|--------|---------|
| 3 | 532 44 44-81 | LOGOTYPE | | 1 |
| 5 | 581 67 42-02 | DASH | | 1 |
| 14 | 532 44 11-77 | HOOD | | 1 |
| 15 | 585 42 03-01 | LENS | LH | 1 |
| 18 | 532 44 06-53 | GRILLE | | 1 |
| 25 | 585 42 02-01 | LENS | RH | 1 |
| 34 | 580 91 09-01 | PLATE | | 1 |
| 36 | 817 06 05-12 | SCREW | | 1 |
| 37 | 532 44 13-69 | FENDER | | 1 |
| 52 | 873 68 05-00 | NUT | | 1 |
| 62 | 872 11 06-08 | BOLT | | 1 |
| 68 | 817 49 05-08 | SCREW | | 1 |
| 118 | 819 13 13-16 | WASHER | | 1 |
| 119 | 873 68 06-00 | NUT | | 1 |
| 130 | 532 41 63-58 | SCREW | | 1 |
| 137 | 532 40 75-90 | DAMPING PIECE | | 1 |
| 150 | 532 43 97-74 | AIR DUCT | | 1 |
| 151 | 532 43 66-70 | BRACKET | | 1 |
| 152 | 532 43 98-70 | SHIELD | | 1 |
| 159 | 817 00 06-12 | SCREW | | 1 |
| 162 | 532 14 24-32 | SCREW | | 1 |
| 175 | 532 19 63-04 | SUPPORT | | 1 |
| 176 | 532 40 07-76 | SCREW | | 1 |
| 177 | 532 19 52-28 | BUSHING | | 1 |
| 180 | 583 90 27-01 | CHASSIS | | 1 |
| 182 | 532 43 89-67 | DASH | | 1 |
| 183 | 874 52 05-20 | BOLT | | 1 |
| 189 | 817 00 05-12 | SCREW | | 1 |
| 191 | 586 18 28-01 | REFLECTOR | | 1 |
| 194 | 873 90 05-00 | NUT | | 1 |
| 195 | 532 40 41-37 | TROU*RPL.PAR 532401556428 | | 1 |
| 198 | 532 44 15-52 | INDICATOR | | 1 |
| 199 | 532 41 87-39 | PLATE | | 1 |
| 202 | 532 43 97-28 | COVER | RH | 1 |
| 203 | 532 43 97-27 | COVER | LH | 1 |
| 204 | 532 44 06-65 | COVER | | 1 |
| 205 | 532 43 97-30 | SKIRT | RH | 1 |
| 206 | 532 43 97-29 | SKIRT | LH | 1 |
| 207 | 585 42 00-01 | BEZEL | RH | 1 |
| 208 | 585 42 01-01 | BEZEL | LH | 1 |
| 213 | 874 76 05-12 | BOLT | | 1 |
| 214 | 532 19 91-45 | CLIP | | 1 |
| 217 | 532 40 91-67 | ROD | | 1 |
| 218 | 532 19 63-95 | PLATE | | 1 |
| 228 | 532 19 51-61 | STUD | | 1 |
| 229 | 532 44 14-63 | LID | | 1 |
| 234 | 532 40 47-42 | DAMPING PIECE | | 1 |
| 235 | 532 40 61-29 | SPACER | | 1 |
| 236 | 873 93 05-00 | NUT | | 1 |
| 282 | 532 41 41-10 | CLIP | | 1 |
| 283 | 532 44 72-12 | CONSOLE | | 1 |
| 284 | 532 44 72-20 | CONSOLE | | 1 |
| 287 | 817 60 04-06 | SCREW | | 1 |
| 297 | 586 18 29-01 | REFLECTOR | | 1 |
| 303 | 587 49 31-02 | SHIELD | | 1 |
| 304 | 587 49 27-02 | SHIELD | | 1 |
| 307 | 587 49 45-01 | SHIELD | | 1 |
| 308 | 532 17 18-77 | BOLT | | 1 |
| 309 | 581 32 89-07 | BACKPLATE | | 1 |
| 319 | 581 31 39-06 | LEVER | | 1 |
| 334 | 532 44 25-37 | BRACKET | | 1 |
| 335 | 532 44 82-04 | COVER | | 1 |
| 336 | 532 44 53-09 | COVER | | 1 |
| 338 | 532 43 66-40 | BOLT | | 1 |

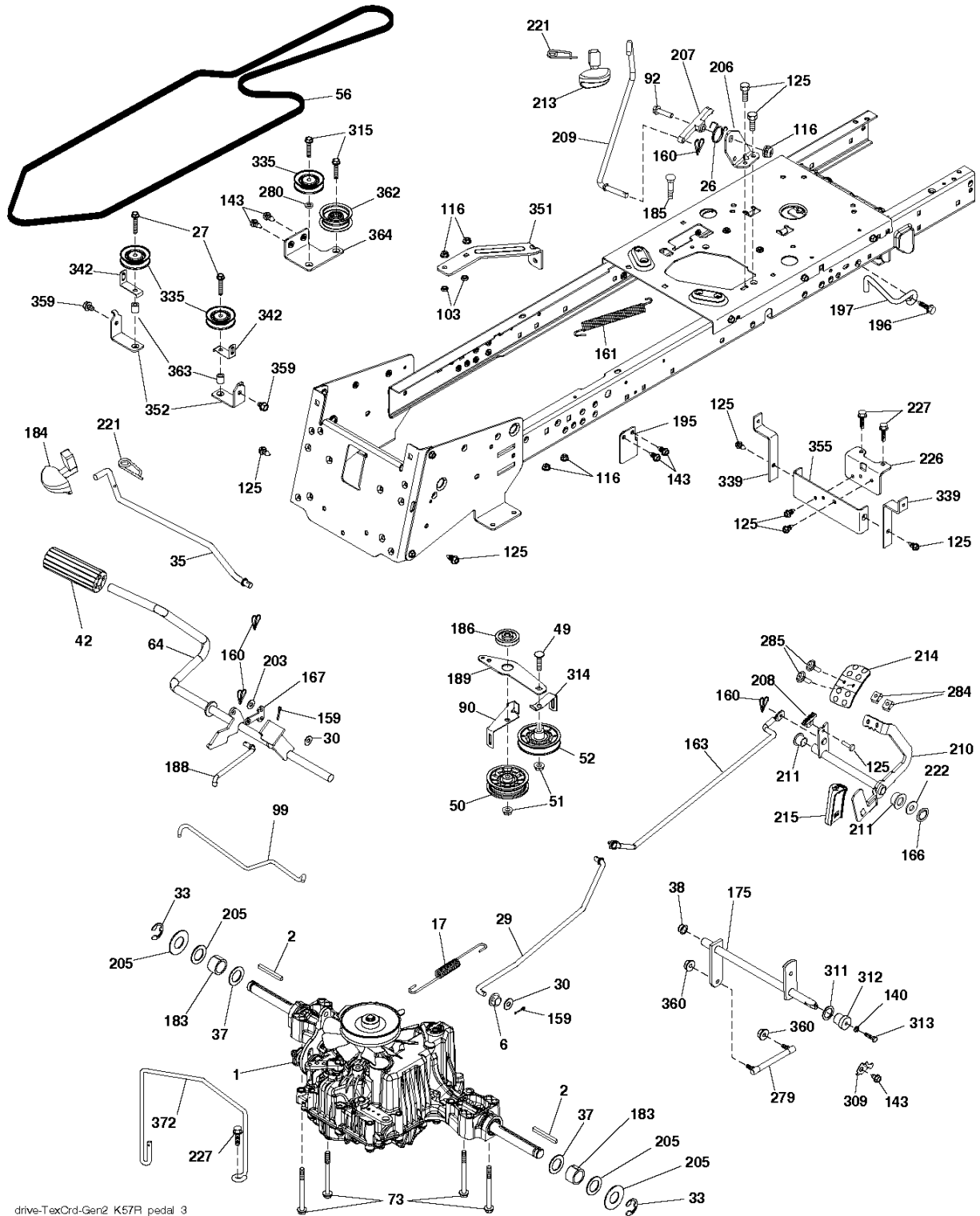
| Ref | Part No | Description | Remark | QTY KIT |
|-----|--------------|---------------------------|--------|---------|
| 339 | 532 43 66-41 | LEVER | | 1 |
| 340 | 581 32 90-01 | BATTERY | | 1 |
| 342 | 532 43 59-38 | SUPPORT | | 1 |
| 343 | 532 44 07-49 | CLIP | | 1 |
| 344 | 532 43 89-70 | CONTROL | | 1 |
| 345 | 532 44 06-39 | KNOB | | 1 |
| 347 | 532 44 28-87 | HITCH | | 1 |
| 349 | 532 43 66-06 | SUPPORT | | 1 |
| 350 | 532 44 51-43 | CLIP | | 1 |
| 366 | 581 31 46-02 | BRACKET | | 1 |
| 367 | 581 31 45-02 | BRACKET | | 1 |
| 368 | 581 42 48-01 | SHROUD | | 1 |
| -- | 532 43 18-82 | GUARD | | 1 |
| -- | 532 40 41-37 | TROU*RPL.PAR 532401556428 | | 1 |
| -- | 586 29 76-01 | PLUG | | 1 |



DECALS

TC 342, 96051012900, 2014-08

| Ref | Part No | Description | Remark | QTY KIT |
|-----|--------------|-------------|--------|---------|
| 2 | 581 57 97-01 | DECAL | | 1 |
| 4 | 587 53 17-01 | DECAL | | 1 |
| 5 | 581 57 84-01 | DECAL | | 1 |
| 6 | 581 57 83-01 | DECAL | | 1 |
| 7 | 581 62 73-01 | DECAL | | 1 |
| 8 | 586 12 07-01 | DECAL | | 1 |
| 9 | 581 57 98-01 | DECAL | | 1 |
| 10 | 532 41 86-00 | DECAL | | 1 |
| 11 | 581 57 91-01 | DECAL | | 1 |
| 12 | 587 46 92-01 | DECAL | | 1 |
| 13 | 586 80 03-01 | DECAL | | 1 |
| 14 | 581 57 96-01 | DECAL | | 1 |
| 21 | 532 44 11-89 | DECAL | | 1 |
| 22 | 532 44 51-02 | DECAL | | 1 |
| 23 | 532 44 46-19 | DECAL | | 1 |
| 24 | 532 44 54-93 | DECAL | | 1 |
| -- | 532 44 14-10 | PAD | | 1 |
| -- | 532 44 14-09 | PAD | | 1 |



DRIVE

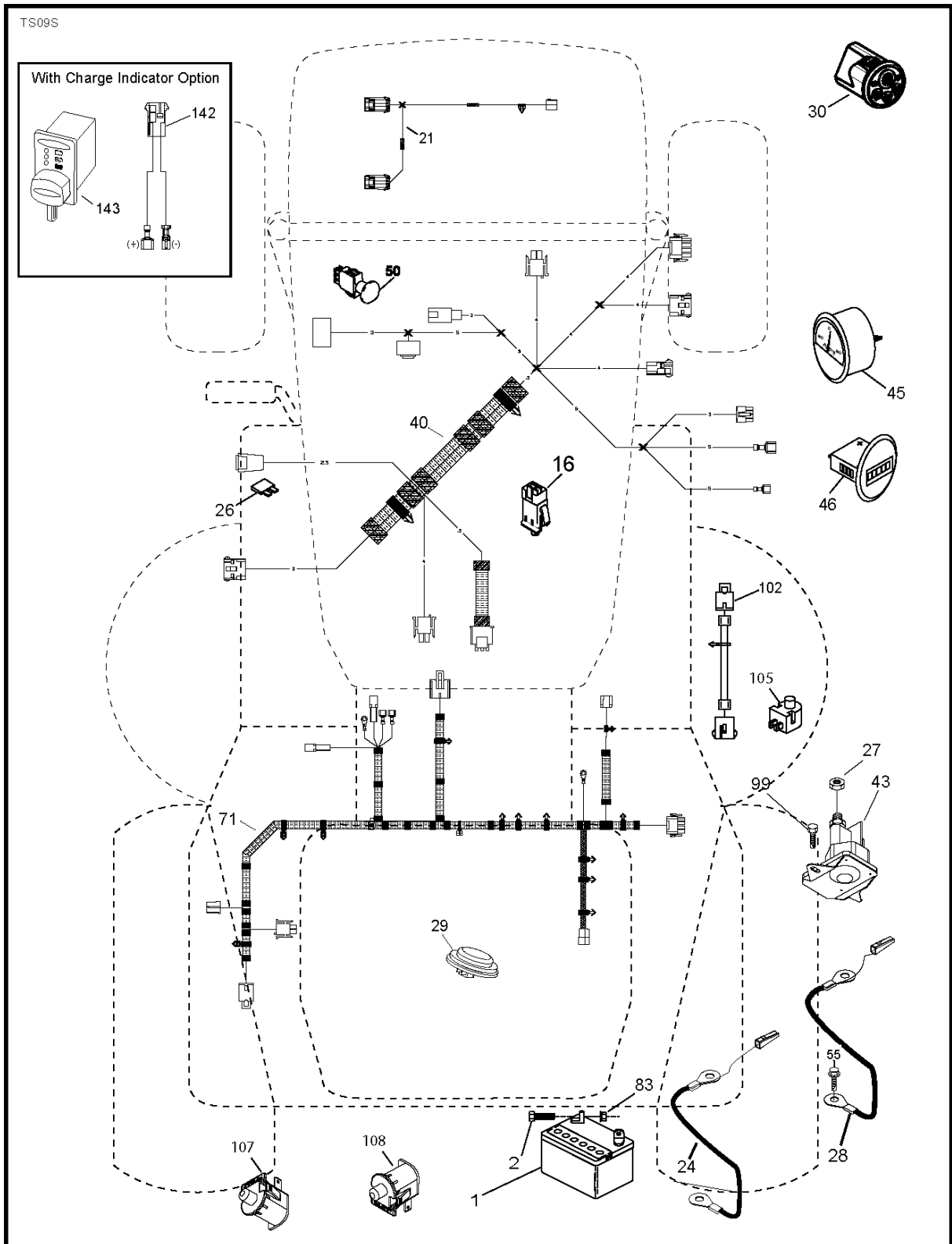
TC 342, 96051012900, 2014-08

| Ref | Part No | Description | Remark | QTY KIT |
|-----|--------------|--------------------------------|---|---------|
| 1 | 000 00 00-00 | W/O DESCRIPTION | TRANSAXLE TUFFTORQ K57AH (585743601) | 1 |
| 2 | 532 12 35-83 | KEY | | 1 |
| 6 | 532 12 40-28 | COVER | | 1 |
| 17 | 532 43 62-27 | SPRING | | 1 |
| 26 | 532 19 96-79 | SPRING | | 1 |
| 27 | 817 49 05-28 | SCREW | | 1 |
| 29 | 532 44 27-95 | ROD | | 1 |
| 30 | 819 13 16-16 | WASHER | | 1 |
| 33 | 812 00 00-01 | RETAINING RING | | 1 |
| 35 | 532 43 54-86 | BRAKE | | 1 |
| 37 | 532 18 89-67 | WASHER | | 1 |
| 38 | 532 16 96-13 | SLEEVE | | 1 |
| 42 | 532 12 48-72 | PEDAL RUBBER | | 1 |
| 49 | 872 11 06-14 | BOLT | | 1 |
| 50 | 532 19 43-27 | PULLEY | | 1 |
| 51 | 873 90 06-00 | NUT | | 1 |
| 52 | 532 19 43-26 | PULLEY | | 1 |
| 56 | 532 44 27-81 | BELT | | 1 |
| 64 | 532 19 78-65 | SHAFT | | 1 |
| 73 | 874 49 05-44 | SCREW | | 1 |
| 90 | 532 44 36-05 | KEEPER | | 1 |
| 92 | 874 76 05-20 | BOLT | | 1 |
| 99 | 532 44 39-47 | ROD | | 1 |
| 103 | 873 35 05-00 | NUT | | 1 |
| 116 | 873 90 05-00 | NUT | | 1 |
| 125 | 817 00 05-12 | SCREW | | 1 |
| 140 | 810 04 04-00 | WASHER | | 1 |
| 143 | 817 49 05-08 | SCREW | | 1 |
| 159 | 876 02 04-12 | SPLIT PIN | | 1 |
| 160 | 532 16 94-84 | PIN RETAINING SCREW | | 1 |
| 161 | 532 10 57-09 | SPRING | | 1 |
| 163 | 532 44 27-93 | ROD | | 1 |
| 166 | 532 42 91-64 | NUT | | 1 |
| 167 | 532 40 52-57 | LATCH | | 1 |
| 175 | 532 44 18-23 | SHAFT | | 1 |
| 183 | 532 13 70-57 | SPACER | | 1 |
| 184 | 587 65 37-01 | HANDLE | | 1 |
| 185 | 872 11 06-22 | BOLT | | 1 |
| 186 | 532 19 43-21 | SPACER | | 1 |
| 188 | 532 19 43-23 | LINK | | 1 |
| 189 | 532 43 36-11 | BELLCRANK | | 1 |
| 195 | 580 45 69-01 | BRACKET | | 1 |
| 196 | 817 00 06-16 | SCREW | | 1 |
| 197 | 585 65 86-01 | CLUTCH | | 1 |
| 203 | 819 11 11-16 | WASHER | | 1 |
| 205 | 532 12 17-48 | WASHER | | 1 |
| 206 | 532 44 85-96 | BRACKET | | 1 |
| 207 | 532 19 78-68 | LATCH | | 1 |
| 208 | 532 19 78-69 | SUPPORT | | 1 |
| 209 | 532 19 95-92 | ROD | | 1 |
| 210 | 532 40 09-80 | PEDAL ARM | | 1 |
| 211 | 532 12 01-83 | BEARING | | 1 |
| 213 | 532 40 31-19 | CONTROL | | 1 |
| 214 | 532 41 68-63 | PEDAL.FORWARD.HUSQVARNA.DEALER | | 1 |
| 215 | 586 60 65-02 | PEDAL | | 1 |
| 221 | 532 40 31-87 | RETAINER SPRING | | 1 |
| 222 | 879 21 20-10 | WASHER | | 1 |
| 226 | 532 40 15-64 | BRACKET | | 1 |
| 227 | 817 49 05-12 | SCREW | | 1 |
| 279 | 532 44 42-83 | LINK | | 1 |
| 280 | 819 11 10-12 | WASHER | | 1 |
| 284 | 532 41 76-93 | NUT.U-CHNL.1/4-20.550DP.350PNL | | 1 |
| 285 | 874 18 04-12 | SCREW | | 1 |
| 309 | 532 16 55-80 | RETAINER | | 1 |

DRIVE

TC 342, 96051012900, 2014-08

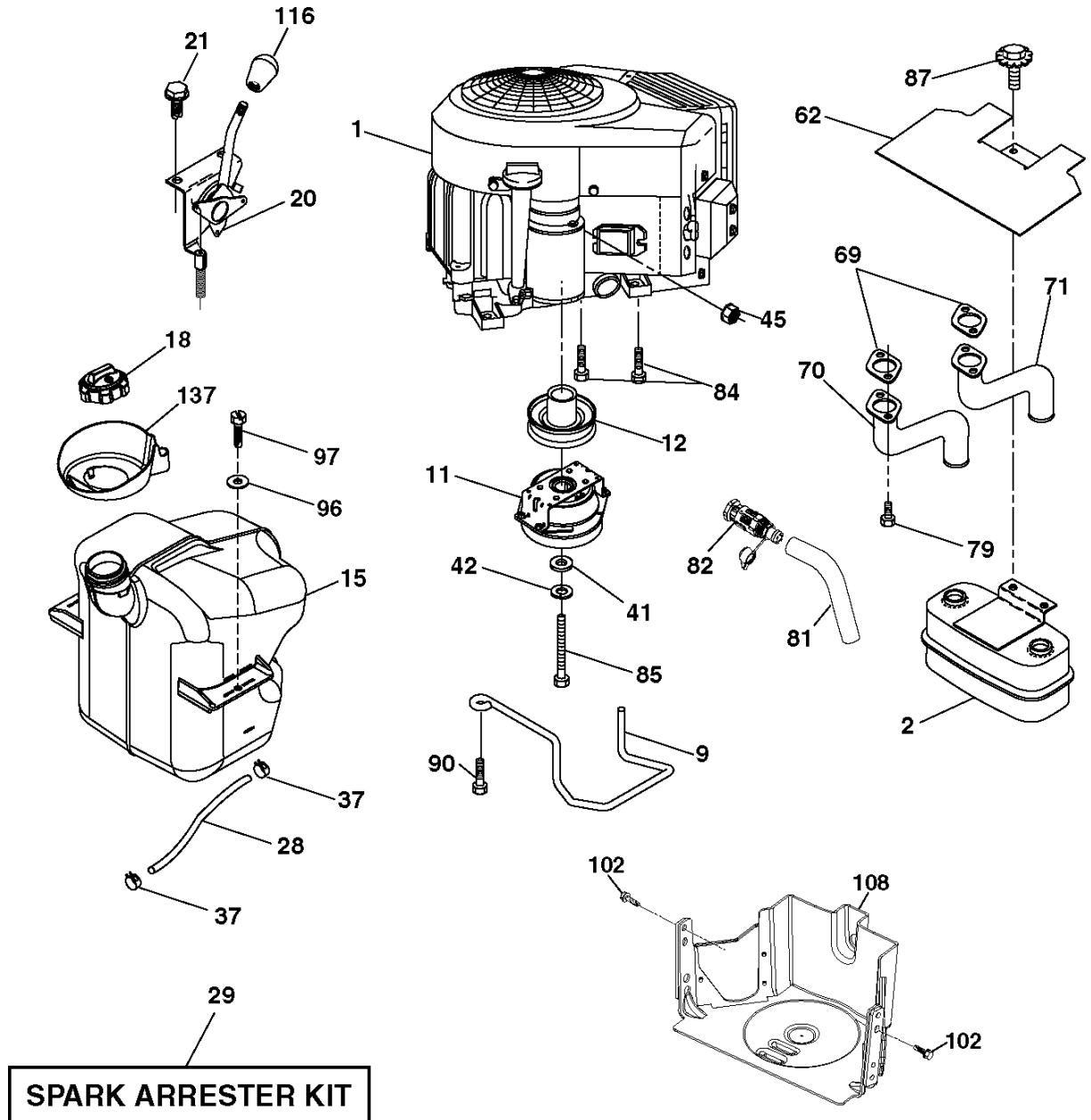
| Ref | Part No | Description | Remark | QTY KIT |
|-----|--------------|-------------|--------|---------|
| 311 | 532 16 98-45 | WASHER | | 1 |
| 312 | 532 16 56-14 | HUB | | 1 |
| 313 | 874 78 04-16 | BOLT | | 1 |
| 314 | 532 44 47-13 | RETAINER | | 1 |
| 315 | 817 58 05-20 | BOLT | | 1 |
| 335 | 532 19 95-34 | PULLEY | | 1 |
| 339 | 532 43 68-67 | STRAP | | 1 |
| 342 | 532 18 26-82 | BELT GUIDE | | 1 |
| 351 | 532 43 69-98 | BRACKET | | 1 |
| 352 | 532 43 56-45 | BRACKET | | 1 |
| 355 | 532 43 56-69 | STRAP | | 1 |
| 359 | 817 49 06-10 | SCREW | | 1 |
| 360 | 532 44 47-14 | NUT | | 1 |
| 362 | 532 43 68-12 | IDLER | | 1 |
| 363 | 532 44 27-80 | SPACER | | 1 |
| 364 | 532 44 30-32 | BRACKET | | 1 |
| 372 | 587 06 27-01 | KEEPER | | 1 |



ELECTRICAL

TC 342, 96051012900, 2014-08

| Ref | Part No | Description | Remark | QTY KIT |
|-----|--------------|------------------|--------|---------|
| 1 | 532 43 71-57 | BATTERY | | 1 |
| 2 | 532 44 09-23 | SCREW | | 1 |
| 16 | 532 17 61-38 | SWITCH INTERLOCK | | 1 |
| 21 | 585 43 64-01 | HARNESS | | 1 |
| 24 | 585 73 43-02 | CABLE | | 1 |
| 26 | 532 17 51-58 | FUSE | | 1 |
| 27 | 873 51 04-00 | NUT | | 1 |
| 28 | 585 30 69-03 | CABLE | | 1 |
| 29 | 581 42 93-02 | SWITCH | | 1 |
| 30 | 586 83 67-03 | SWITCH | | 1 |
| 40 | 585 21 65-02 | HARNESS | | 1 |
| 43 | 532 19 25-07 | SOLENOID | | 1 |
| 45 | 587 55 39-03 | GAUGE | | 1 |
| 46 | 587 55 40-03 | GAUGE | | 1 |
| 50 | 532 17 46-51 | SWITCH PTO | | 1 |
| 55 | 817 06 05-12 | SCREW | | 1 |
| 71 | 585 21 66-01 | HARNESS | | 1 |
| 83 | 532 43 67-74 | NUT | | 1 |
| 99 | 817 72 04-08 | SCREW | | 1 |
| 102 | 532 44 12-62 | HARNESS ASSY | | 1 |
| 105 | 532 40 75-68 | SWITCH | | 1 |
| 107 | 532 18 03-79 | SWITCH FBI | | 1 |
| 108 | 532 16 07-84 | BRAKER | | 1 |
| 142 | 583 85 78-01 | HARNESS | | 1 |
| 143 | 532 44 80-59 | HARNESS | | 1 |

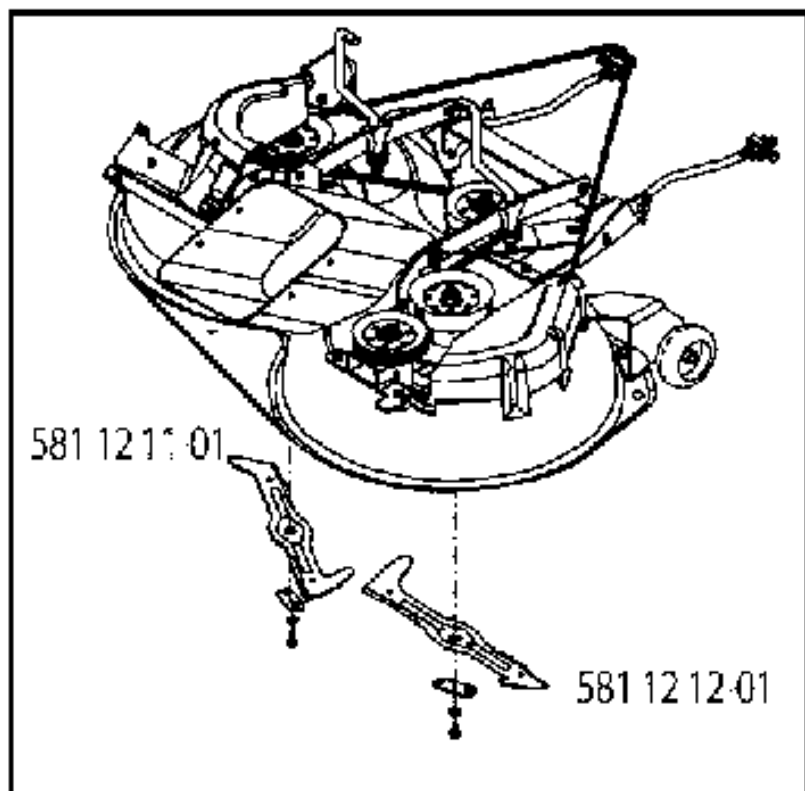
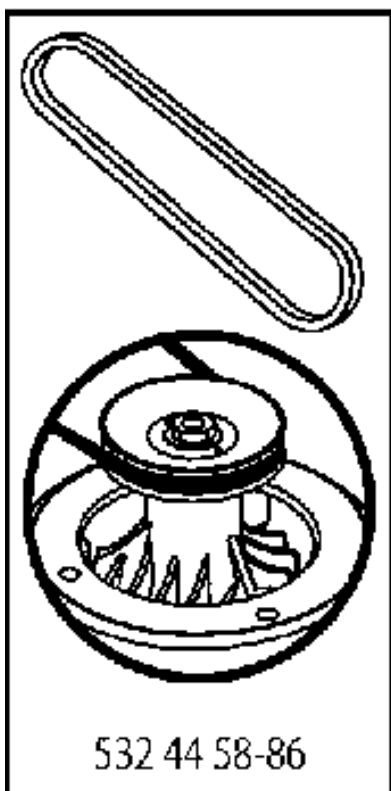
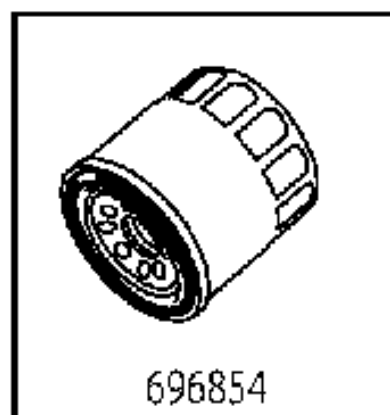
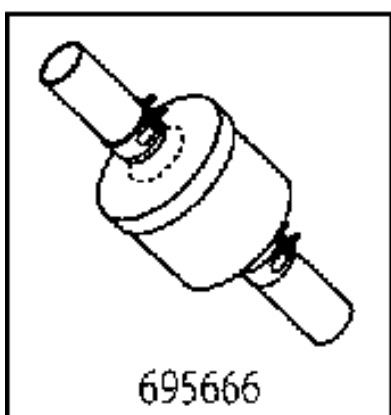
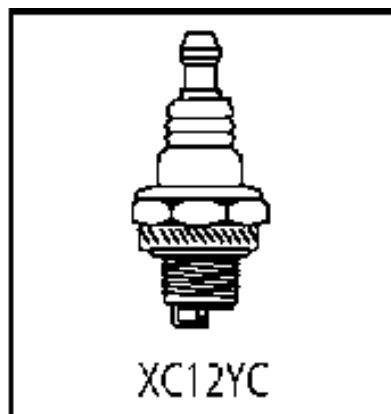
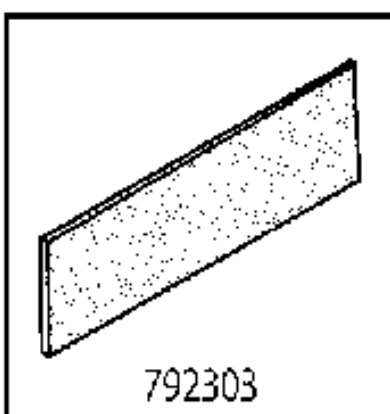
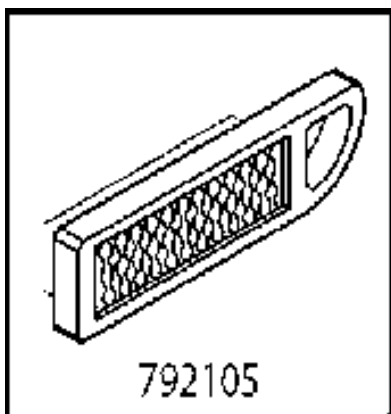


engine-tex_bs-2cyl_123

ENGINE

TC 342, 96051012900, 2014-08

| Ref | Part No | Description | Remark | QTY KIT |
|-----|--------------|--------------------|---|---------|
| 1 | 000 00 00-00 | W/O DESCRIPTION | ENGINE B&S MODEL 44S677-0019-B1 (587526101) | 1 |
| 2 | 532 44 59-62 | MUFFLER | | 1 |
| 9 | 584 90 80-01 | KEEPER | | 1 |
| 11 | 587 24 16-01 | CLUTCH | | 1 |
| 12 | 532 40 50-97 | PULLEY | | 1 |
| 15 | 532 43 58-16 | FUEL TANK | | 1 |
| 18 | 532 44 14-62 | CUP | | 1 |
| 20 | 586 21 96-01 | THROTTLE CONTROL | | 1 |
| 21 | 532 41 63-58 | SCREW | | 1 |
| 28 | 532 13 70-40 | HOSE | | 1 |
| 29 | 532 13 71-80 | SPARK ARRESTER KIT | | 1 |
| 37 | 532 12 34-87 | HOSE CLAMP | | 1 |
| 41 | 532 12 61-97 | WASHER | | 1 |
| 42 | 810 04 07-00 | WASHER | | 1 |
| 45 | 873 51 04-00 | NUT | | 1 |
| 62 | 532 43 40-17 | SHIELD | | 1 |
| 69 | 532 16 53-91 | GASKET | | 1 |
| 70 | 581 88 11-01 | TUBE | | 1 |
| 71 | 581 88 10-01 | TUBE | | 1 |
| 79 | 532 18 39-06 | SCREW | | 1 |
| 81 | 532 14 84-56 | TUBE | | 1 |
| 82 | 532 42 82-87 | PLUG | | 1 |
| 84 | 817 06 06-20 | SCREW | | 1 |
| 85 | 532 17 99-53 | BOLT | | 1 |
| 87 | 532 17 18-77 | BOLT | | 1 |
| 90 | 817 00 06-16 | SCREW | | 1 |
| 96 | 819 09 14-16 | WASHER | | 1 |
| 97 | 817 67 04-12 | SCREW | | 1 |
| 102 | 817 06 05-16 | SCREW | | 1 |
| 108 | 532 42 30-41 | COVER | | 1 |
| 116 | 539 13 26-24 | KNOB - SHIFT | | 1 |
| 137 | 532 44 14-61 | FUEL CAP ASSY | | 1 |



587531701

FREQUENTLY USED PARTS

TC 342, 96051012900, 2014-08

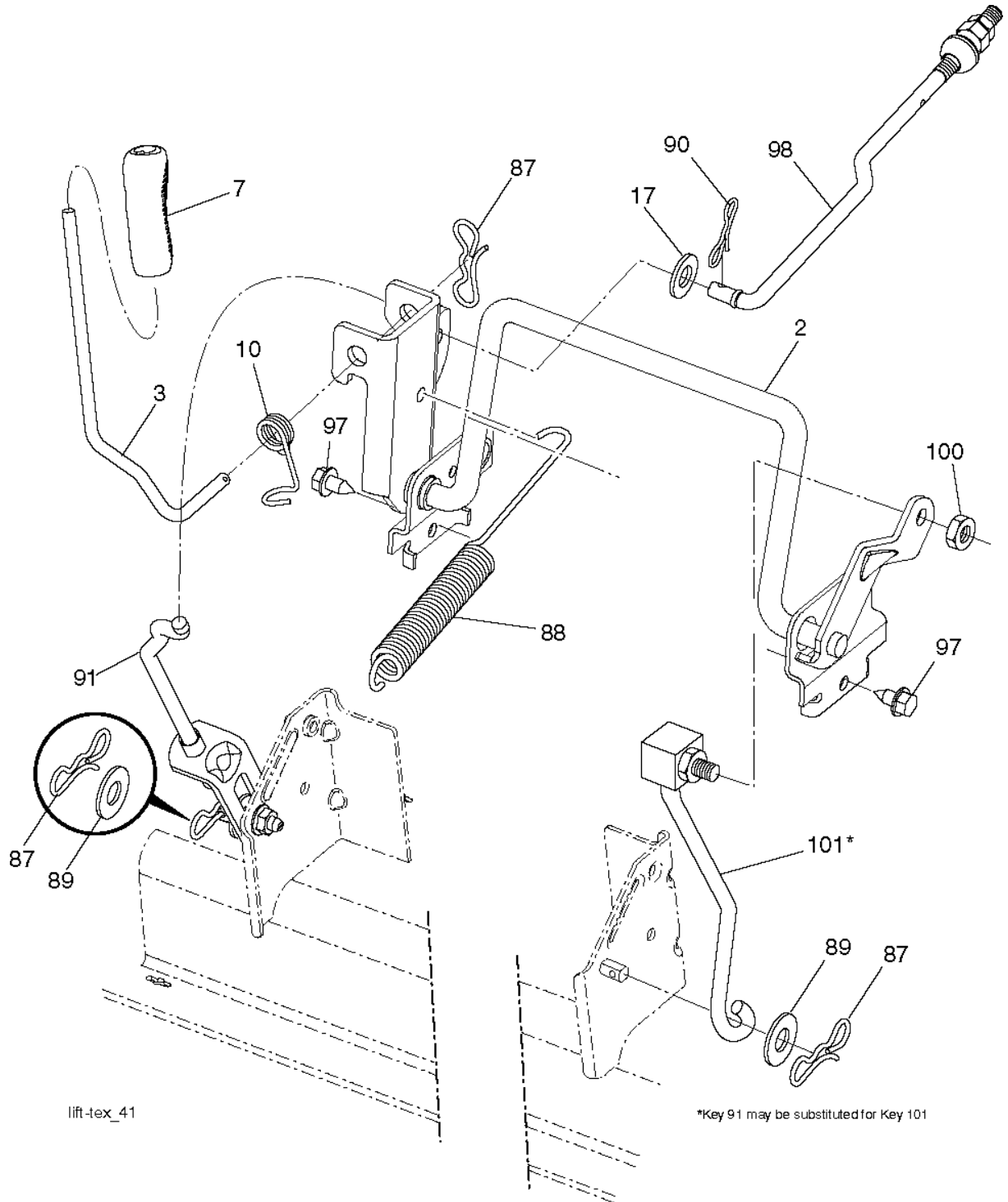
| Ref | Part No | Description | Remark | QTY KIT |
|-----------|--------------|-----------------|--------|---------|
| 792105 | TBD | TBD | | 1 |
| XC12YC | 110 13 70-46 | TBD | | 1 |
| 695666 | 695666 | BENZINFILTER | | 1 |
| 696854 | 696854 | \LFILTER CTH170 | | 1 |
| 532442781 | 532 44 27-81 | BELT | | 1 |
| 532445886 | 532 44 58-86 | BELT | | 1 |
| 581121101 | 581 12 11-01 | BLADE | | 1 |
| 581121201 | 581 12 12-01 | BLADE | | 1 |
| 792303 | TBD | TBD | | 1 |

| Ref | Part No | Description | Remark | QTY KIT |
|-----|--------------|-------------|---------------------|---------|
| 1 | 580 97 33-01 | DECK | | 1 |
| 2 | 532 42 30-62 | NUT | | 1 |
| 3 | 873 90 05-00 | NUT | RH | 1 |
| 5 | 817 00 05-10 | BOLT | | 1 |
| 11 | 532 13 77-29 | SCREW | | 1 |
| 13 | 872 11 06-12 | BOLT | | 1 |
| 14 | 532 15 60-85 | BELT GUIDE | | 1 |
| 16 | 873 90 06-00 | NUT | | 1 |
| 17 | 532 40 02-34 | NUT | | 1 |
| 18 | 532 18 76-90 | WASHER | | 1 |
| 19 | 532 11 04-85 | BEARING | | 1 |
| 23 | 817 49 06-28 | SCREW | | 1 |
| 27 | TBD | TBD | (532 44 58-87) BELT | 1 |
| 32 | 532 44 62-05 | SPRING | | 1 |
| 33 | 580 79 61-01 | MANDREL | | 1 |
| 34 | 580 85 47-01 | SHAFT | | 1 |
| 35 | 581 12 11-01 | BLADE | | 1 |
| 42 | 817 00 05-12 | SCREW | | 1 |
| 43 | 532 44 32-39 | PULLEY | | 1 |
| 45 | 581 65 08-01 | HOUSING | | 1 |
| 46 | 585 72 99-01 | WASHER | | 1 |
| 47 | 584 30 93-01 | SCREW | | 1 |
| 72 | 581 45 41-02 | CHUTE | | 1 |
| 75 | 532 13 14-94 | PULLEY | | 1 |
| 76 | 532 43 96-40 | PORT | | 1 |
| 84 | 532 44 32-35 | KEEPER | | 1 |
| 85 | 581 12 12-01 | BLADE | | 1 |
| 86 | 532 18 17-13 | BOLT | | 1 |
| 87 | 810 03 06-00 | WASHER | | 1 |
| 91 | 819 13 20-12 | WASHER | | 1 |
| 94 | 532 19 72-50 | BRACKET | | 1 |
| 95 | 817 00 06-12 | SCREW | | 1 |
| 96 | 532 40 02-71 | SPACER | | 1 |
| 97 | 532 18 20-61 | PROTECTOR | | 1 |
| 98 | 532 19 51-61 | STUD | | 1 |
| 99 | 532 19 51-86 | ARM | | 1 |
| 100 | 532 19 65-39 | BOLT | | 1 |
| 101 | 873 68 09-00 | NUT | | 1 |
| 102 | 532 40 25-11 | SPACER | | 1 |
| 104 | 581 71 40-01 | COVER | | 1 |
| 105 | 532 44 47-55 | COVER | | 1 |
| 110 | 587 93 48-01 | GEAR | | 1 |
| 111 | 532 43 69-79 | GASKET | | 1 |
| 112 | 532 44 38-52 | SHAFT | | 1 |
| 113 | 532 43 85-33 | PLUG | | 1 |
| 114 | 532 43 85-34 | VALVE | | 1 |
| 115 | 818 03 10-16 | SCREW | | 1 |
| 116 | 872 11 04-14 | BOLT | | 1 |
| 117 | 873 90 04-00 | NUT | | 1 |
| 118 | 532 44 32-32 | ARM | | 1 |
| 119 | 532 43 81-66 | GEARCASE | | 1 |
| 120 | 532 44 32-36 | KEEPER | | 1 |
| 121 | 532 43 69-85 | WASHER | | 1 |
| 124 | 581 65 07-01 | SHAFT | | 1 |
| 125 | 532 44 04-20 | BRACKET | | 1 |
| 127 | 532 19 34-06 | BOLT | | 1 |
| 128 | 532 17 48-73 | WHEEL | | 1 |
| 129 | 532 44 32-37 | ROD | | 1 |
| 130 | 819 13 13-12 | WASHER | | 1 |
| 131 | 532 19 42-08 | PIN | | 1 |
| 133 | 532 43 81-97 | COVER | | 1 |
| 134 | 532 43 58-61 | PIN | | 1 |
| 135 | 532 43 79-88 | E-RING | | 1 |
| 136 | 532 43 96-39 | PLUG | | 1 |

MOWER DECK / CUTTING DECK

TC 342, 96051012900, 2014-08

| Ref | Part No | Description | Remark | QTY KIT |
|-----|--------------|---------------------|--|---------|
| 137 | 812 00 00-29 | RETAINING RING | | 1 |
| 138 | 532 44 76-67 | HOSE | | 1 |
| 139 | 532 44 07-42 | CLAMP | | 1 |
| 140 | 580 36 99-01 | GUARD | | 1 |
| 141 | 532 44 77-03 | GUARD | | 1 |
| 146 | 532 44 58-96 | SPRING | | 1 |
| 154 | 532 19 98-55 | SCREW | | 1 |
| 159 | 585 30 94-05 | REINFORCEMENT PLATE | | 1 |
| 160 | 585 30 95-05 | REINFORCEMENT PLATE | | 1 |
| 161 | 585 31 60-05 | REINFORCEMENT PLATE | | 1 |
| 162 | 585 31 61-05 | REINFORCEMENT PLATE | | 1 |
| 163 | 872 11 04-06 | BOLT | | 1 |
| 246 | 580 95 40-03 | BLADE HOLDER | | 1 |
| 247 | 581 26 34-02 | GUARD | | 1 |
| 248 | 581 26 36-02 | GUARD | | 1 |
| 249 | 581 26 35-02 | GUARD | | 1 |
| 250 | 819 11 12-12 | WASHER | | 1 |
| 258 | 584 95 39-01 | BOLT | | 1 |
| 263 | 586 63 85-01 | CAP | | 1 |
| -- | 586 21 39-01 | CUTTING DECK | "Includes housing, shaft assembly, and bearing only - pulley/nut/washer and blade bolt/washers not included" | 1 |



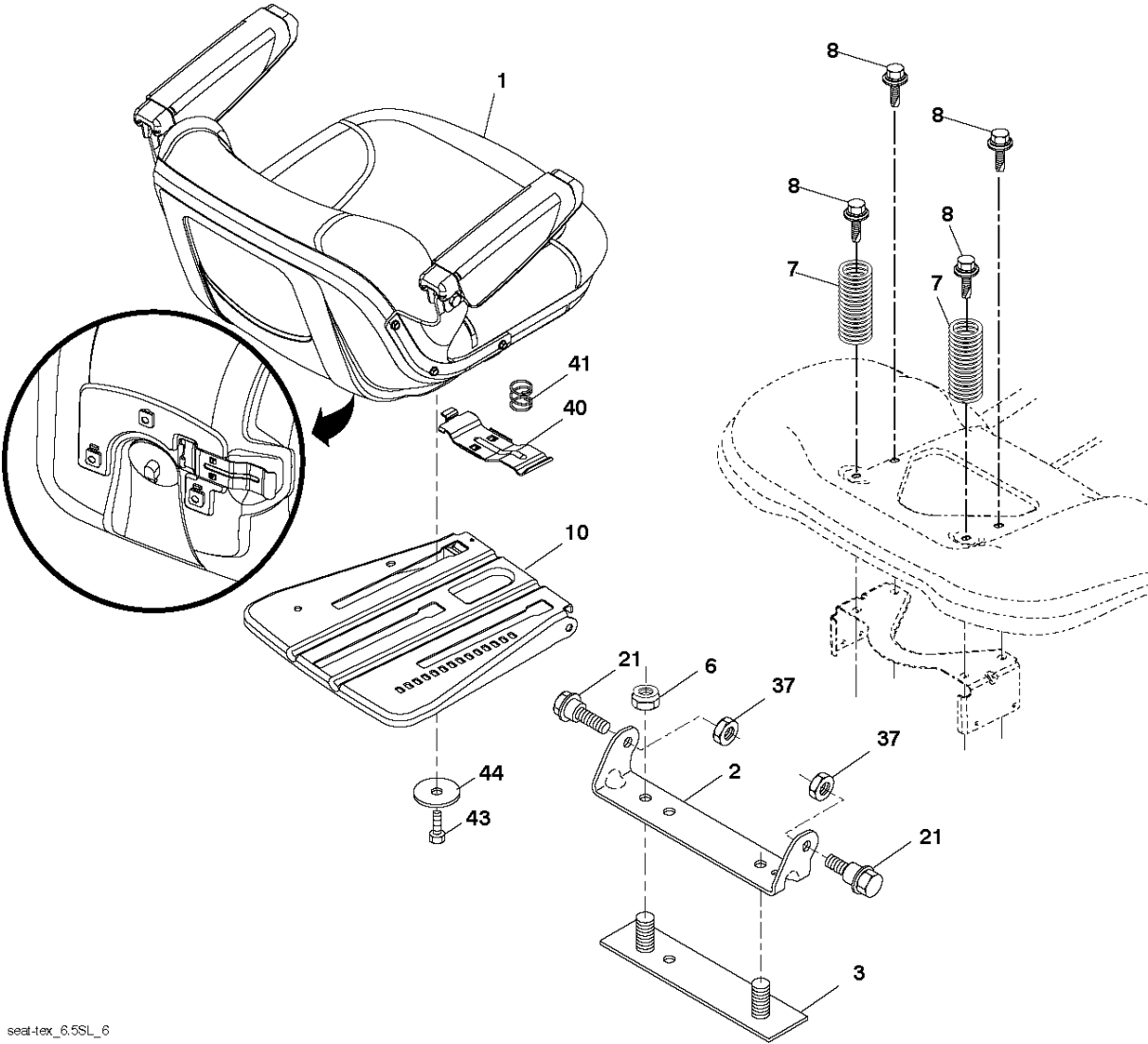
lift-tex_41

*Key 91 may be substituted for Key 101

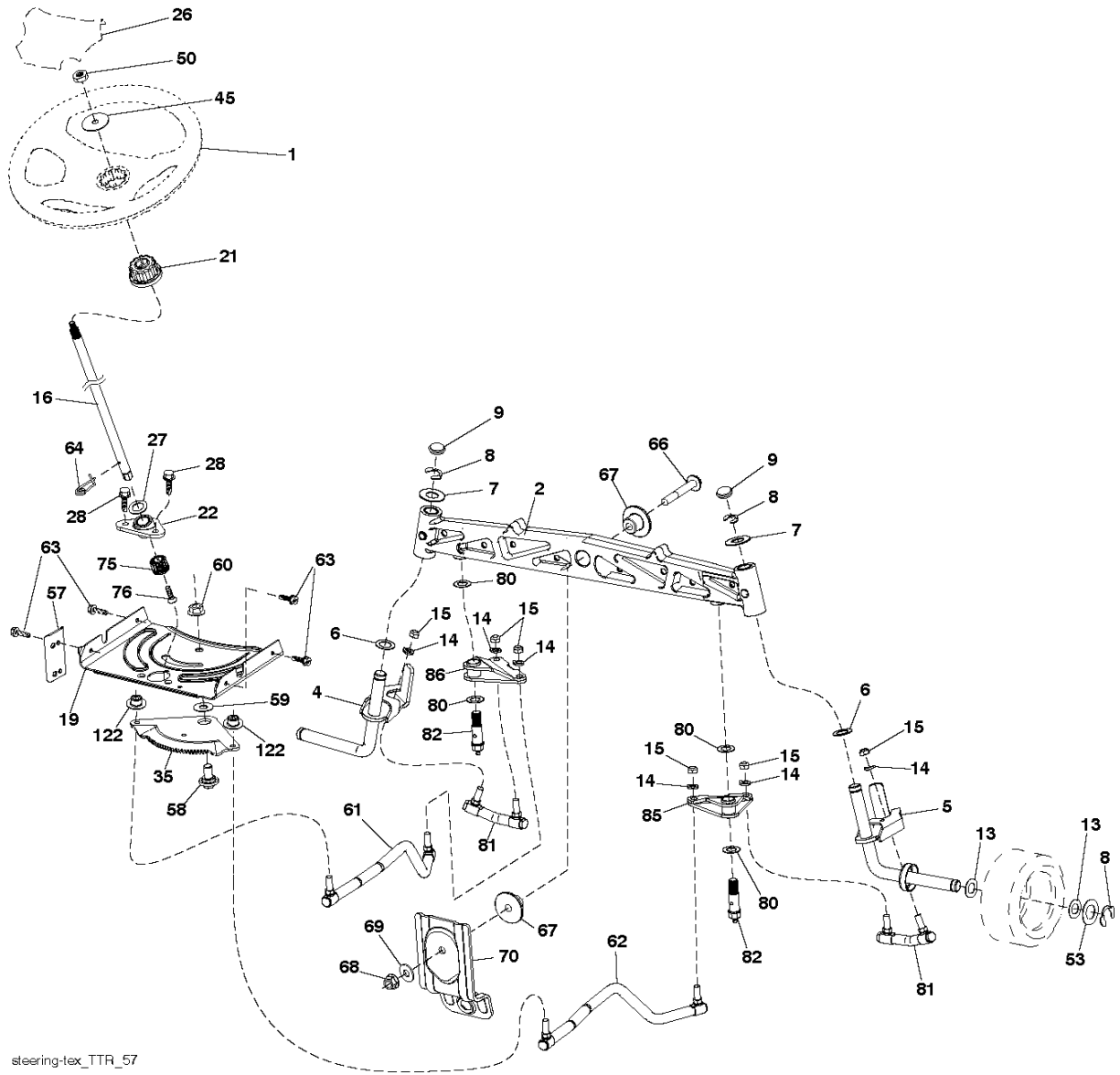
MOWER LIFT / DECK LIFT

TC 342, 96051012900, 2014-08

| Ref | Part No | Description | Remark | QTY KIT |
|-----|--------------|-------------|--------|---------|
| 2 | 532 43 69-96 | SHAFT | RH | 1 |
| 3 | 532 19 52-31 | LEVER | RH | 1 |
| 7 | 580 96 23-01 | GRIP | | 1 |
| 10 | 532 19 63-14 | SPRING | | 1 |
| 17 | 819 13 13-12 | WASHER | | 1 |
| 87 | 532 19 42-09 | SPRING | | 1 |
| 88 | 532 44 54-96 | SPRING | | 1 |
| 89 | 819 19 19-12 | WASHER | | 1 |
| 90 | 532 19 42-08 | PIN | | 1 |
| 91 | 532 19 51-81 | LINK | | 1 |
| 97 | 817 49 06-08 | SCREW | | 1 |
| 98 | 532 19 52-70 | LINK | | 1 |
| 100 | 873 93 06-00 | NUT | | 1 |
| 101 | 532 40 70-03 | LINK | | 1 |



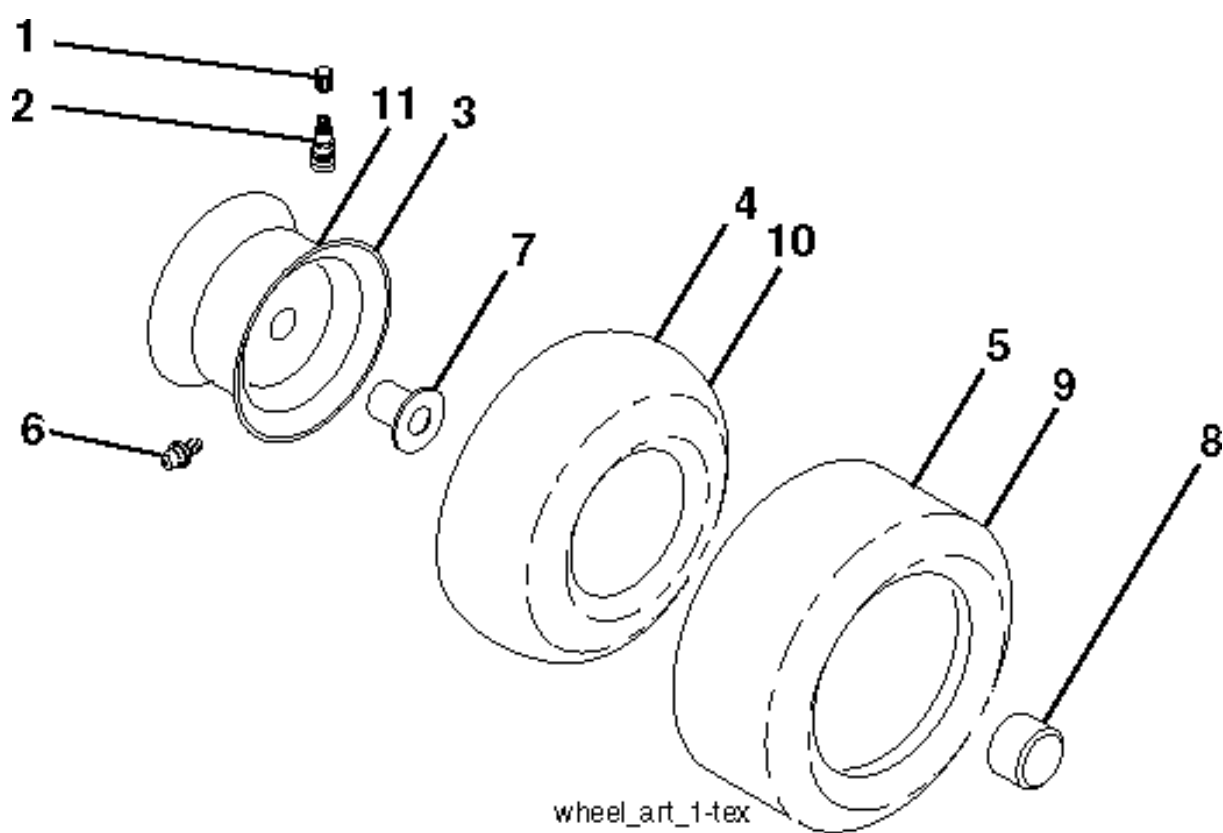
| Ref | Part No | Description | Remark | QTY KIT |
|-----|--------------|---------------|--------|---------|
| 1 | 532 44 32-63 | SEAT | | 1 |
| 2 | 532 18 01-66 | BRACKET PIVOT | | 1 |
| 3 | 532 14 06-75 | STRAP | | 1 |
| 6 | 873 80 06-00 | NUT | | 1 |
| 7 | 532 12 41-81 | SPRING | | 1 |
| 8 | 532 17 18-77 | BOLT | | 1 |
| 10 | 532 19 69-77 | PLATE | | 1 |
| 21 | 532 17 18-52 | BOLT | | 1 |
| 37 | 873 80 05-00 | LOCK NUT | | 1 |
| 40 | 532 19 76-61 | HANDLE | | 1 |
| 41 | 532 19 82-00 | SPRING | | 1 |
| 43 | 874 76 06-12 | BOLT | | 1 |
| 44 | 819 13 38-12 | WASHER | | 1 |



STEERING

TC 342, 96051012900, 2014-08

| Ref | Part No | Description | Remark | QTY KIT |
|-----|--------------|-----------------|--------|---------|
| 1 | 532 43 97-40 | STEERING WHEEL | | 1 |
| 2 | 532 43 68-70 | WHEEL AXLE | | 1 |
| 4 | 532 43 68-73 | SPINDLE | LH | 1 |
| 5 | 532 43 68-74 | SPINDLE | RH | 1 |
| 6 | 532 12 49-31 | WASHER | | 1 |
| 7 | 532 12 17-48 | WASHER | | 1 |
| 8 | 812 00 00-29 | RETAINING RING | | 1 |
| 9 | 532 12 12-32 | HUB CAP | | 1 |
| 13 | 532 12 17-49 | WASHER | | 1 |
| 14 | 810 04 06-00 | WASHER | | 1 |
| 15 | 873 54 06-00 | NUT | | 1 |
| 16 | 587 01 60-02 | SHAFT | | 1 |
| 19 | 532 19 47-29 | PLATE | | 1 |
| 21 | 586 84 02-01 | ADAPTER | | 1 |
| 22 | 585 02 99-01 | BEARING | | 1 |
| 26 | 532 43 97-43 | HUB CAP | | 1 |
| 27 | 819 21 16-16 | WASHER | | 1 |
| 28 | 817 00 06-12 | SCREW | | 1 |
| 35 | 532 44 07-70 | GEAR | | 1 |
| 45 | 819 18 38-12 | WASHER | | 1 |
| 50 | 873 90 06-00 | NUT | | 1 |
| 53 | 532 18 89-67 | WASHER | | 1 |
| 57 | 532 40 74-65 | BRACKET | | 1 |
| 58 | 532 19 47-47 | BOLT | | 1 |
| 59 | 532 19 47-48 | WASHER | | 1 |
| 60 | 873 97 10-00 | NUT | | 1 |
| 61 | 581 92 62-02 | LINK ASSY | LH | 1 |
| 62 | 581 92 63-02 | LINK ASSY | RH | 1 |
| 63 | 817 00 05-12 | SCREW | | 1 |
| 64 | 532 19 98-49 | RETAINER SPRING | | 1 |
| 66 | 871 02 07-48 | BOLT | | 1 |
| 67 | 532 19 47-37 | BUSHING | | 1 |
| 68 | 873 90 07-00 | NUT | | 1 |
| 69 | 532 19 91-62 | WASHER | | 1 |
| 70 | 585 33 88-01 | BRACKET | | 1 |
| 75 | 580 68 37-01 | PINION | | 1 |
| 76 | 580 68 36-01 | SCREW | | 1 |
| 80 | 532 00 13-70 | WASHER | | 1 |
| 81 | 532 43 68-87 | LINK | | 1 |
| 82 | 532 44 21-47 | BOLT | | 1 |
| 85 | 532 44 18-73 | PIVOT | | 1 |
| 86 | 532 44 18-72 | PIVOT | | 1 |
| 122 | 532 44 49-62 | CAP | | 1 |



WHEELS & TIRES

TC 342, 96051012900, 2014-08

| Ref | Part No | Description | Remark | QTY KIT |
|-----|--------------|----------------|---------------------|---------|
| 1 | 532 05 91-92 | CAP VALVE | | 1 |
| 2 | 532 06 51-39 | NIPPLE | | 1 |
| 3 | 532 13 83-36 | RIM SPROCKET | Front 6" | 1 |
| 4 | 532 05 99-04 | HOSE | (Service Item Only) | 1 |
| 5 | 532 10 62-22 | TIRE | Front 15" x 6.0"-6" | 1 |
| 6 | 532 12 49-57 | FITTING GREASE | (Front Wheel Only) | 1 |
| 7 | 532 12 49-59 | BEARING | (Front Wheel Only) | 1 |
| 8 | 532 17 50-39 | HUB CAP | | 1 |
| 9 | 532 42 05-31 | TIRE | Rear 18" x 9.5"-8" | 1 |
| 10 | 532 12 49-26 | HOSE | (Service Item Only) | 1 |
| 11 | 532 13 83-37 | RIM SPROCKET | Rear 8" | 1 |
| | 532 14 43-34 | SEALING FOAM | | 1 |