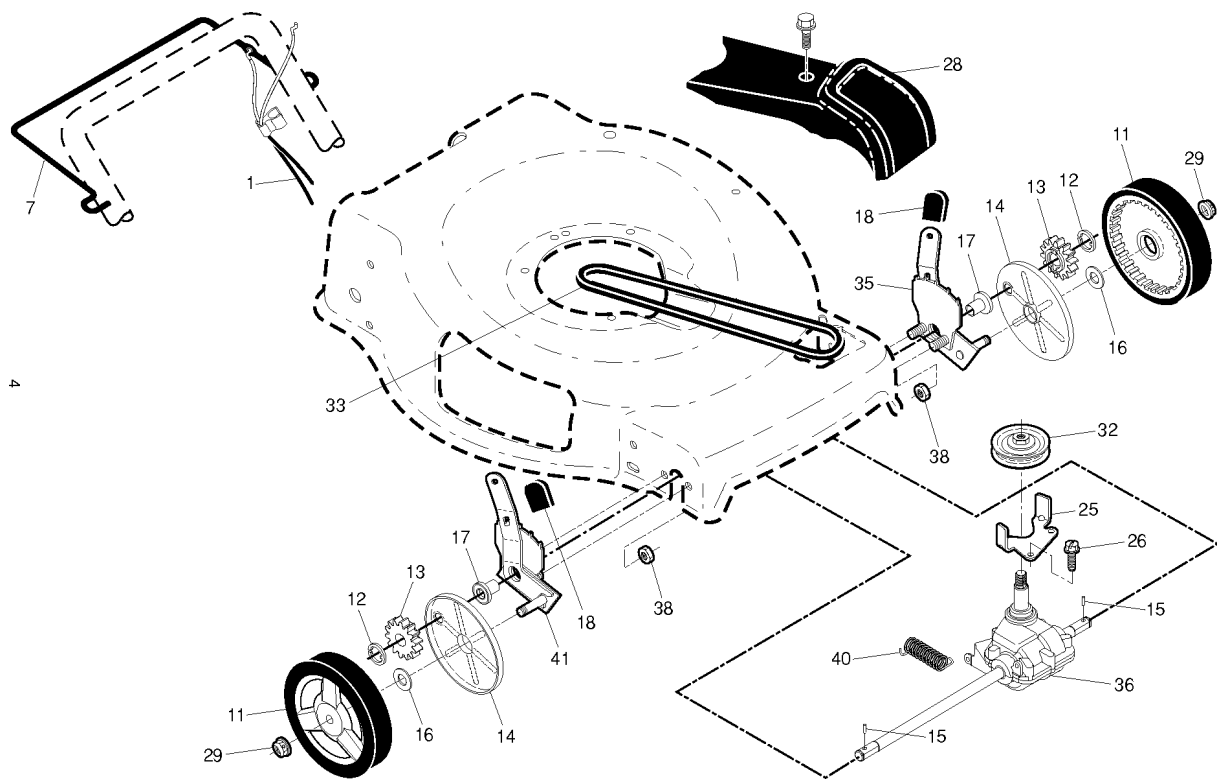




SPARE PARTS LIST

LAWN MOWERS: CONSUMER
WALK-BEHINDS

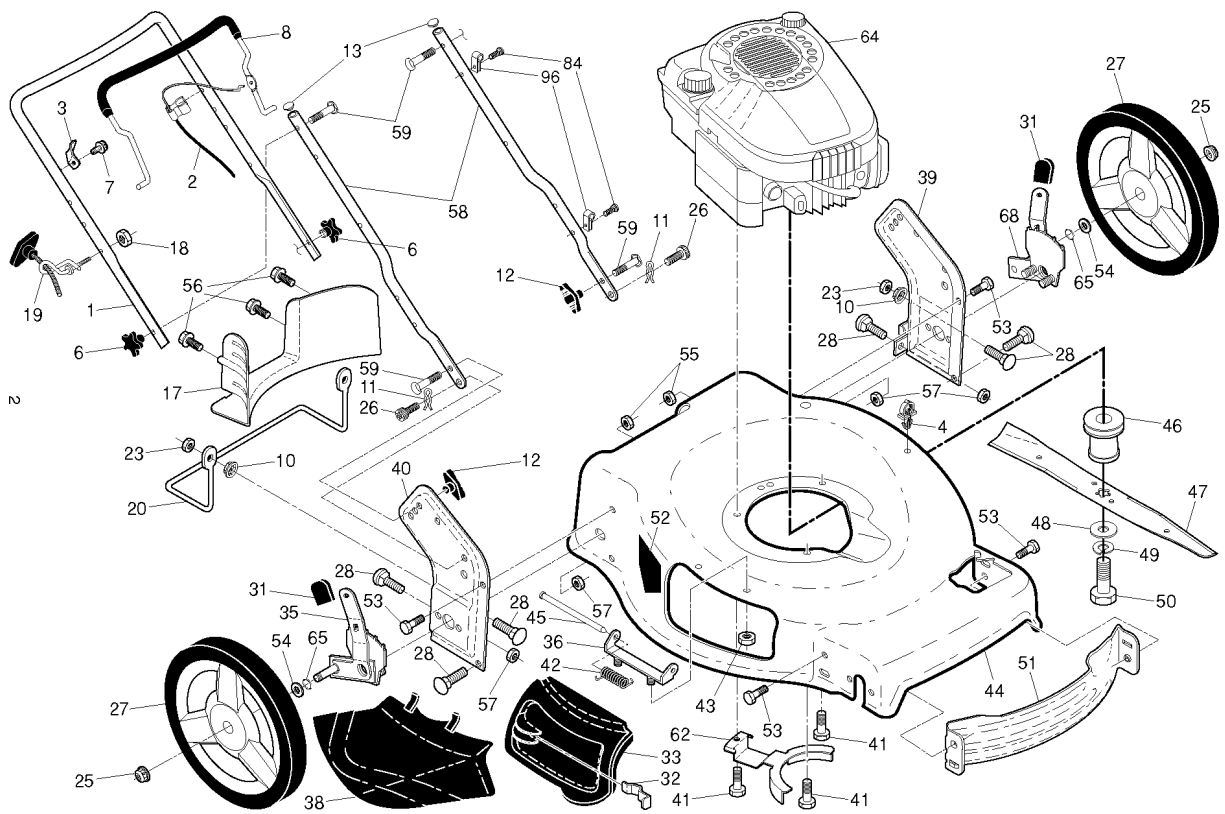
LB 155S, 96121002701, 2014-09



DRIVE

LB 155S, 96121002701, 2014-09

Ref	Part No	Description	Remark	QTY KIT
1	585 04 07-01	CABLE		1
7	585 12 31-02	BAIL		1
11	532 41 10-81	WHEEL		1
12	812 00 00-58	E-CLIP		1
13	532 40 38-49	PINION		1
14	581 84 04-01	DUST COVER		1
15	532 40 48-45	PAWL, DRIVE		1
16	532 06 77-25	WASHER		1
18	532 70 10-37	KNOB		1
25	532 43 17-11	BRACKET		1
26	532 16 34-09	SCREW		1
28	581 83 90-01	COVER		1
29	532 40 91-48	NUT		1
32	532 44 32-62	PULLEY		1
33	532 19 68-53	BELT		1
35	581 49 79-07	HEIGHT ADJUSTER		1
36	532 42 47-41	GEARBOX		1
38	532 19 17-30	NUT		1
40	532 40 65-58	SPRING		1
41	581 49 79-08	HEIGHT ADJUSTER		1



ENGINE

LB 155S, 96121002701, 2014-09

Ref	Part No	Description	Remark	QTY	KIT
1	585 85 48-09	HANDLE		1	
2	532 42 40-33	CABLE		1	
3	532 43 00-34	BRACKET		1	
4	532 14 50-06	CLIP		1	
6	532 18 23-98	KNOB		1	
7	532 17 88-48	SCREW		1	
8	580 84 91-02	BAIL		1	
10	532 42 30-63	WASHER		1	
11	532 42 55-75	HAIR PIN COTTER		1	
12	532 19 19-38	KNOB		1	
13	532 43 75-16	PLUG		1	
17	532 42 73-07	BAFFLE		1	
18	581 91 26-01	KNOB		1	
19	581 90 21-01	GUIDE		1	
20	532 42 24-67	GUARD		1	
23	873 97 05-00	NUT		1	
25	532 40 91-49	NUT		1	
26	532 41 99-45	SCREW		1	
27	580 33 46-01	WHEEL		1	
28	586 21 25-01	BOLT		1	
31	532 70 10-37	KNOB		1	
32	532 44 11-92	LATCH		1	
33	532 41 99-27	MULCH DOOR		1	
35	532 43 11-40	ADJUSTER	RH	1	
36	532 17 57-35	HINGE BRACKET ASSEMBLY		1	
38	532 42 61-29	DEFLECTOR		1	
39	585 90 07-03	BRACKET	LH	1	
40	585 90 08-03	BRACKET	RH	1	
41	532 15 04-06	BOLT		1	
42	532 19 30-00	HINGE SPRING		1	
43	532 19 17-30	NUT		1	
44	581 80 19-01	HOUSING ASSY		1	52
45	532 17 56-50	ROD		1	
46	581 47 33-01	ADAPTER		1	
47	580 24 40-02	BLADE		1	
48	532 85 10-74	WASHER		1	
49	532 85 02-63	WASHER		1	
50	532 85 10-84	SCREW		1	
51	532 43 05-99	BAFFLE		1	
52	532 18 21-66	DECAL		1	
53	817 00 05-10	BOLT		1	
54	532 08 83-48	WASHER		1	
55	532 19 17-30	NUT		1	
56	817 41 13-12	SCREW		1	
57	532 15 53-77	NUT		1	
58	585 90 82-03	HANDLE		1	
59	532 19 15-74	HANDLE BOLT		1	
62	532 43 50-59	BRACKET		1	
64	000 00 00-00	W/O DESCRIPTION	B&S 124T02-0310-H1 FOR PARTS & SERVICE 1-800-233-3723	1	
65	532 19 74-80	O-RING		1	
68	532 43 11-41	ADJUSTER	LH	1	
84	532 42 81-24	FASTENER		1	
96	532 19 79-91	CLIP		1	
	532 18 21-91	LABEL WARNING	NOT SHOWN	1	
	532 42 38-49	BAG	INCLUDES KEY NUMBERS 12 & 56	1	