

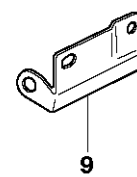
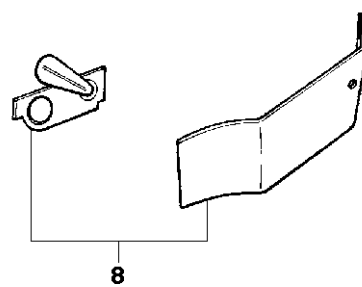
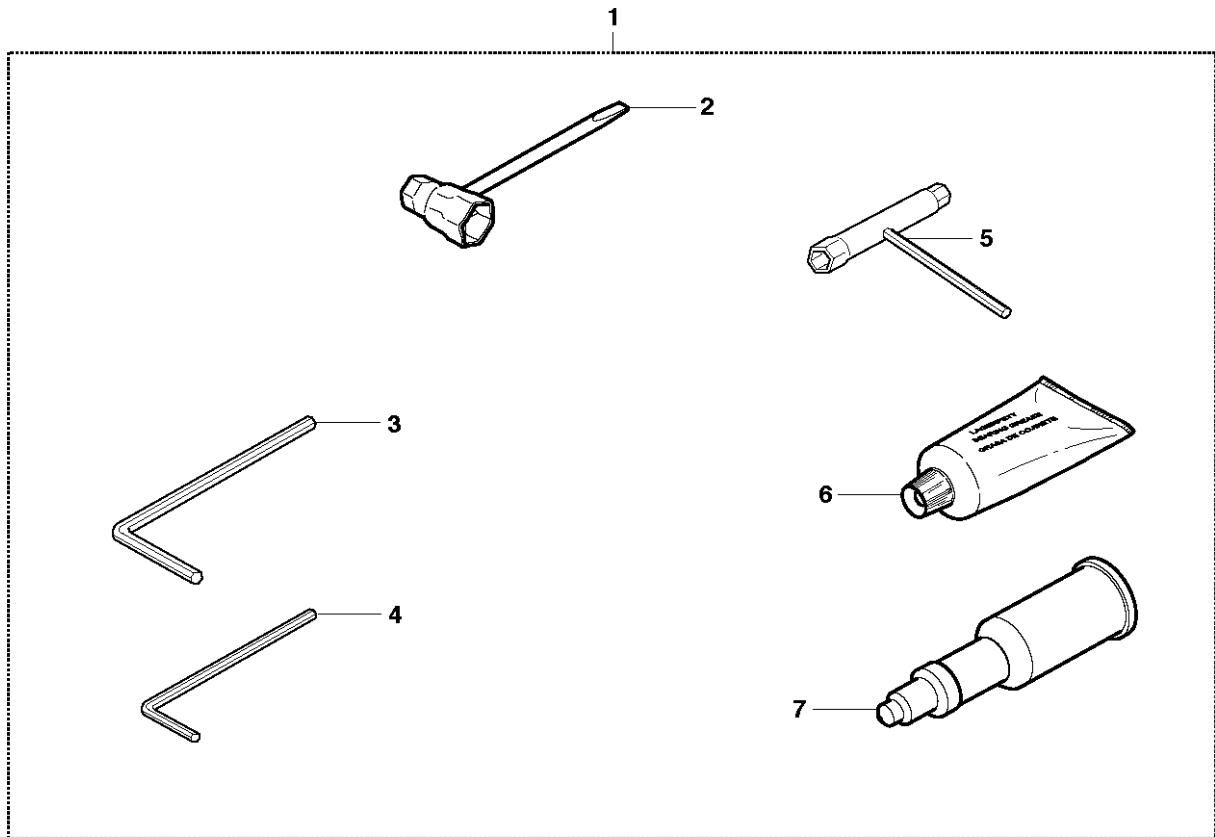


# SPARE PARTS LIST

## CHAIN SAWS

395 XP, 395 XP EPA, 2010-06

395, 395 EPA  
ACCESSORIES



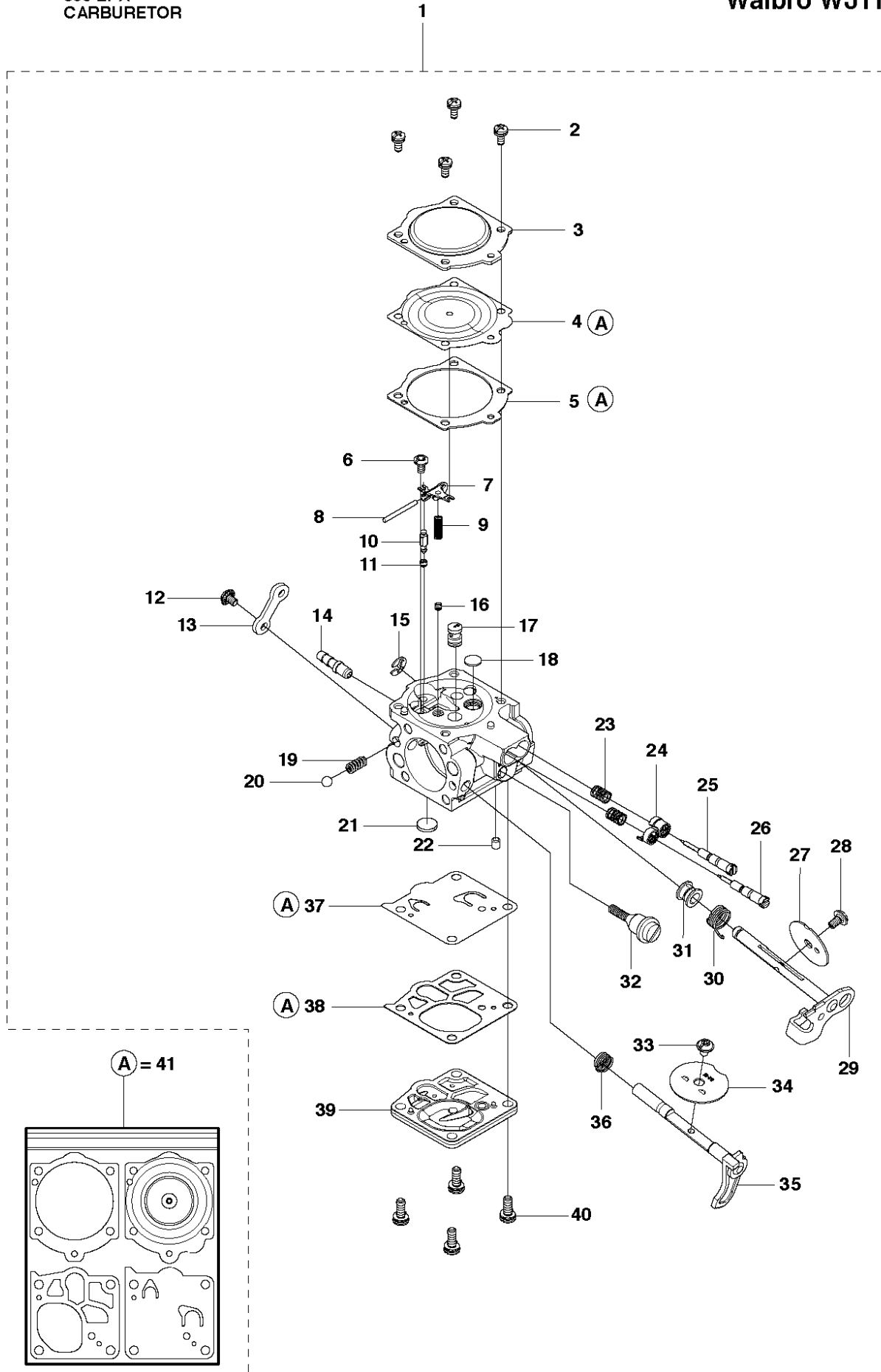
## ACCESSORIES

395 XP, 395 XP EPA, 2010-06

Ref	Part no.	Description	Remark	Qty	Kit
1	503 55 85-02	TOOL KIT		1	
2	503 13 96-01	COMBINATION WRENCH		1	
3	503 55 86-02	SPANNER		1	
4	503 55 86-01	SPANNER		1	
5	501 68 89-01	SLEEVE TOOL		1	
6	503 62 12-01	GREASE		1	
7	501 91 14-01	GREASE GUN		1	
8	503 76 13-71	WINTER KIT		1	
9	503 99 32-01	PROTECTIVE PLATE		1	

395 EPA  
CARBURETOR

Walbro WJ115



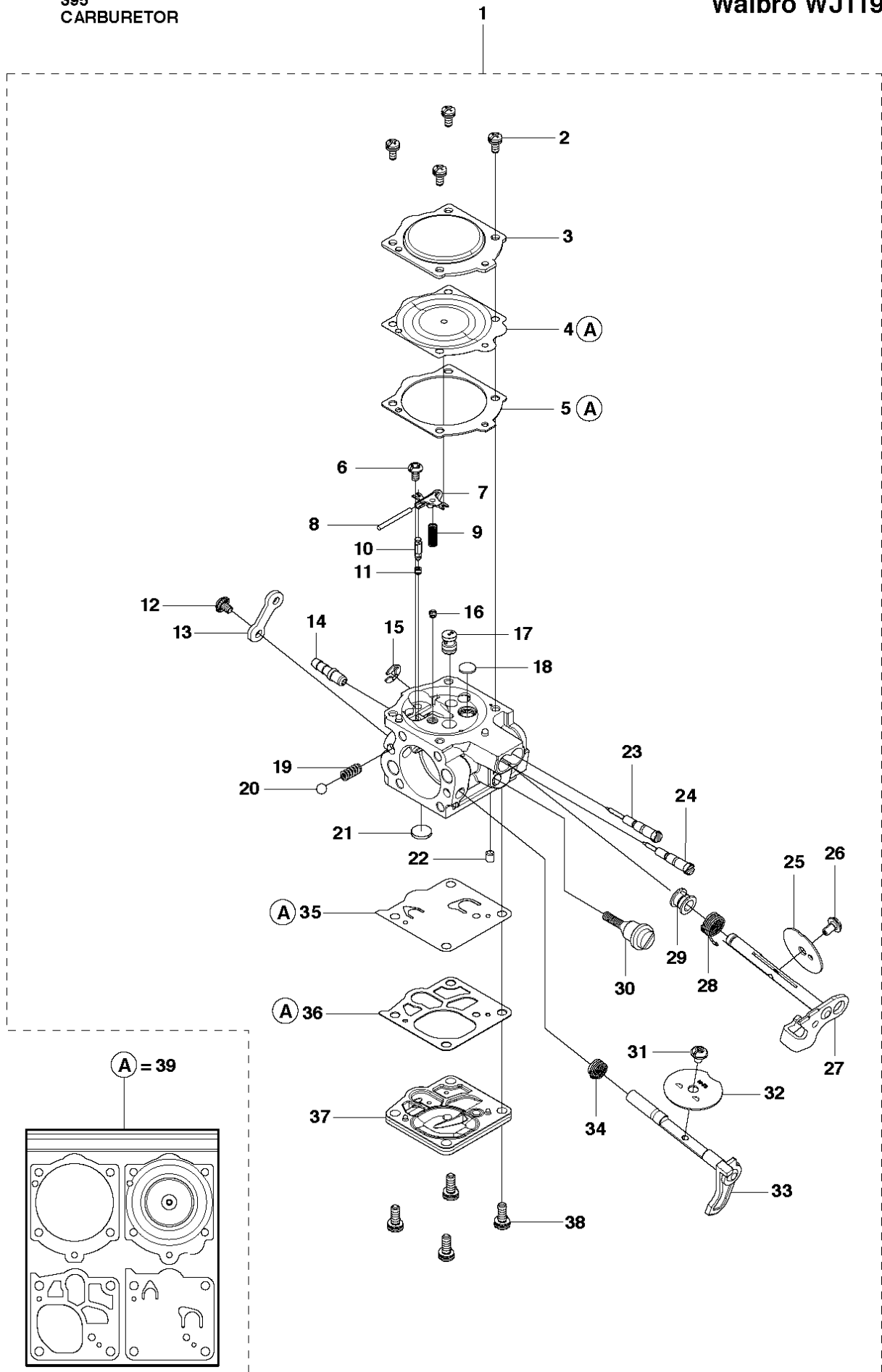
## CARBURETOR

395 XP, 395 XP EPA, 2010-06

Ref	Part no.	Description	Remark	Qty	Kit
1	501 35 51-01	CARBURETTOR		1	
2	503 10 87-01	SCREW		4	
3	505 31 67-02	COVER		1	
4	505 31 67-15	DIAPH.ASS'Y-METERING		1	
5	501 46 75-01	GASKET		1	
6	505 31 67-17	SCREW		1	
7	505 31 67-34	LEVER		1	
8	505 31 67-31	PIN-METERING LEVER		1	
9	504 79 13-01	SPRING		1	
10	503 56 34-01	VALVE INLET NEEDLE		1	
11	503 59 23-01	SEAT-IN VALVE PLATED		1	
12	501 46 87-01	SCREW		1	
13	504 79 06-01	LEVER		1	
14	505 69 69-01	FITTING-FUEL INLET		1	
15	505 31 67-36	RING		1	
16	504 79 19-01	JET		1	
17	503 58 15-01	NOZZLE ASS'Y		1	
18	504 79 08-01	PLUG		1	
19	503 11 77-01	SPRING		1	
20	503 11 71-01	BALL-CHOKE FRICTION		1	
21	501 66 61-01	SCREEN-INLET		1	
22	503 80 05-01	PLUG		1	
23	544 97 10-01	SPRING		2	
24	544 97 08-01	LIMITER CAP		2	
25	504 79 16-01	NEEDLE		1	
26	504 79 17-01	NEEDLE		1	
27	503 80 00-01	VALVE		1	
28	544 11 15-01	SCREW		1	
29	504 79 04-01	SHAFT ASSY		1	
30	576 13 82-01	SPRING		1	
31	502 10 31-01	BUSHING		1	
32	504 79 10-01	SCREW		1	
33	537 00 34-01	SCREW		1	
34	505 31 67-07	VALVE-CHOKE		1	
35	504 79 05-01	SHAFT ASSY		1	
36	504 79 15-01	SPRING		1	
37	544 89 72-01	DIAPHRAGM PUMP		1	
38	503 11 72-01	GASKET PUMP		1	
39	504 79 03-01	COVER		1	
40	503 11 75-01	SCREW		4	
41	522 59 18-01	KIT		1	

395  
CARBURETOR

Walbro WJ119

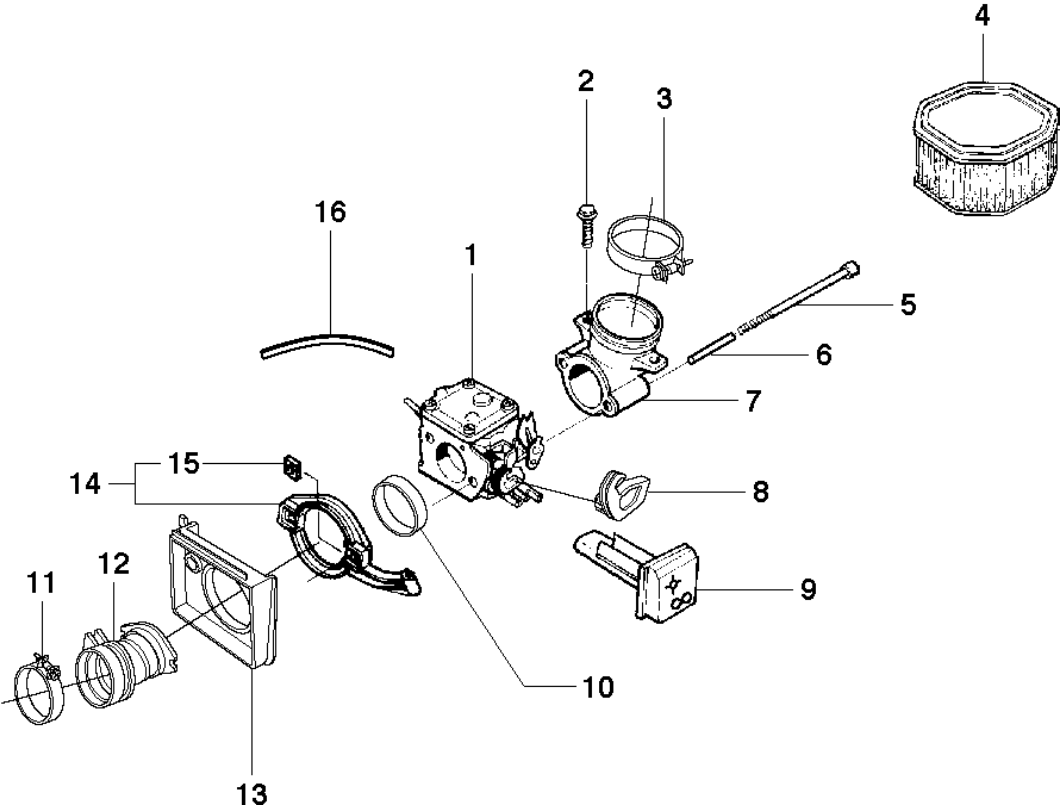


## CARBURETOR

395 XP, 395 XP EPA, 2010-06

Ref	Part no.	Description	Remark	Qty	Kit
1	501 35 55-01	CARBURETTOR		1	
2	503 10 87-01	SCREW		4	
3	505 31 67-02	COVER		1	
4	505 31 67-15	DIAPH.ASS'Y-METERING		1	
5	501 46 75-01	GASKET		1	
6	505 31 67-17	SCREW		1	
7	505 31 67-34	LEVER		1	
8	505 31 67-31	PIN-METERING LEVER		1	
9	504 79 13-01	SPRING		1	
10	503 56 34-01	VALVE INLET NEEDLE		1	
11	503 59 23-01	SEAT-IN VALVE PLATED		1	
12	501 46 87-01	SCREW		1	
13	504 79 06-01	LEVER		1	
14	505 69 69-01	FITTING-FUEL INLET		1	
15	505 31 67-36	RING		1	
16	504 79 19-01	JET		1	
17	503 58 15-01	NOZZLE ASS'Y		1	
18	504 79 08-01	PLUG		1	
19	503 11 77-01	SPRING		1	
20	503 11 71-01	BALL-CHOKE FRICTION		1	
21	501 66 61-01	SCREEN-INLET		1	
22	503 80 05-01	PLUG		1	
23	505 50 89-01	NEEDLE		1	
24	505 50 90-01	NEEDLE		1	
25	503 80 00-01	VALVE		1	
26	544 11 15-01	SCREW		1	
27	504 79 04-01	SHAFT ASSY		1	
28	576 13 82-01	SPRING		1	
29	502 10 31-01	BUSHING		1	
30	504 79 10-01	SCREW		1	
31	537 00 34-01	SCREW		1	
32	505 31 67-07	VALVE-CHOKE		1	
33	504 79 05-01	SHAFT ASSY		1	
34	504 79 15-01	SPRING		1	
35	544 89 72-01	DIAPHRAGM PUMP		1	
36	503 11 72-01	GASKET PUMP		1	
37	504 79 03-01	COVER		1	
38	503 11 75-01	SCREW		4	
39	522 59 18-01	KIT		1	

**395, 395 EPA  
CARBURETOR & AIR FILTER**



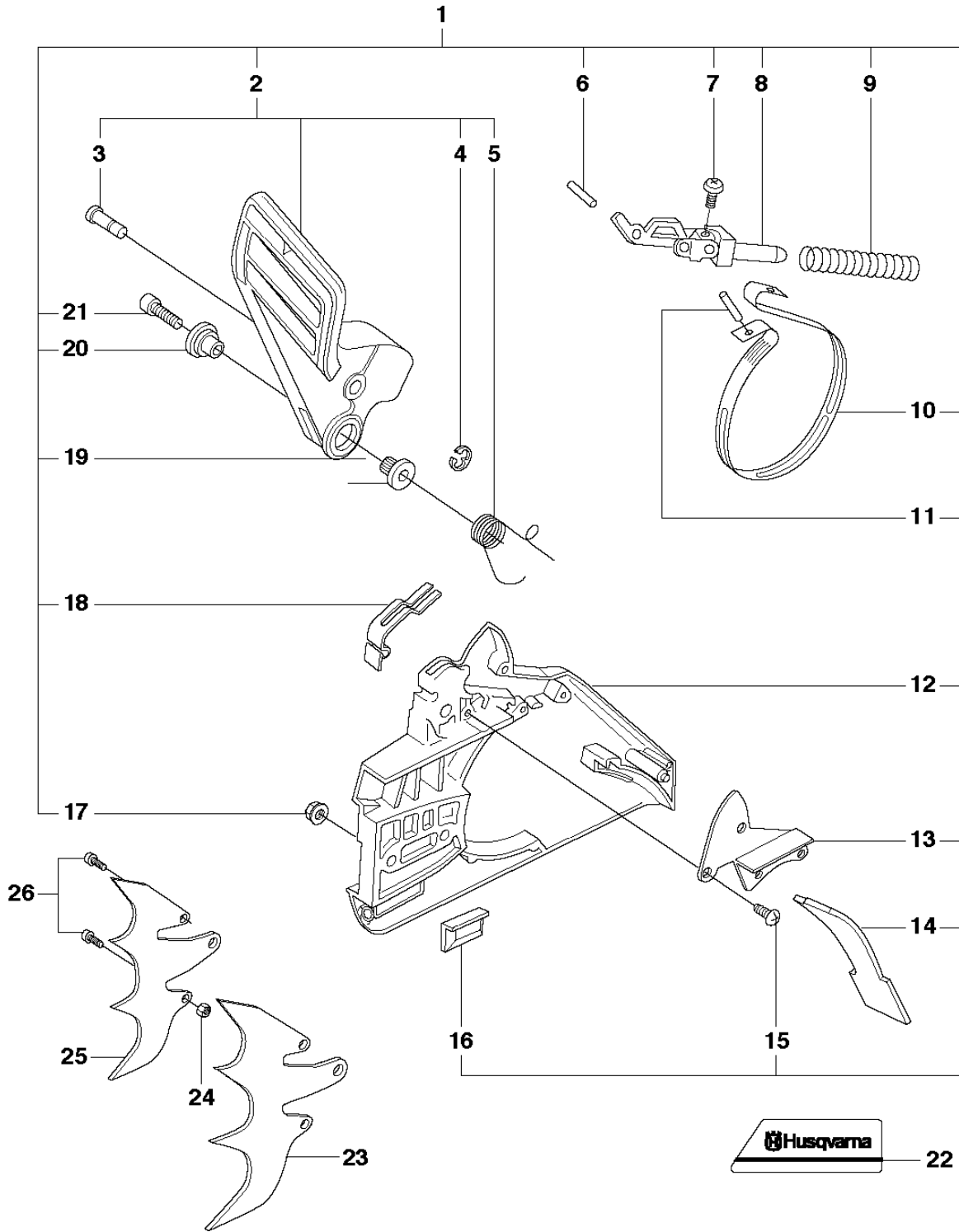


## CARBURETOR &amp; AIR FILTER

395 XP, 395 XP EPA, 2010-06

Ref	Part no.	Description	Remark	Qty	Kit
1	501 35 51-01	CARBURETTOR		1	
1	501 35 55-01	CARBURETTOR		1	
2	503 20 06-08	SCREW IHSCFM		2	
3	505 28 33-05	HOSE CLAMP		1	
4	537 44 44-01	AIR FILTER ASSY		1	
4	537 44 44-02	AIR FILTER ASSY		1	
4	537 44 44-03	AIR FILTER ASSY		1	
5	725 53 09-55	SCREW IHSCM		2	
6	503 70 11-01	TUBE		2	
7	503 96 96-01	FILTER CONNECTION		1	
8	503 68 41-01	LEVER		1	
9	503 97 48-01	GUIDE BUSHING		1	
10	503 96 22-01	SUPPORT SLEEVE		1	
11	505 28 33-03	HOSE CLAMP		1	
12	503 96 97-01	INLET PIPE		1	
13	503 96 94-01	SEALING COLLAR		1	
14	503 97 39-01	FLANGE		1	
15	503 22 65-03	SQUARE NUT		2	14
16	503 40 06-07	IMPULSE HOSE		1	

395, 395 EPA  
CHAIN BREAK & CLUTCH COVER

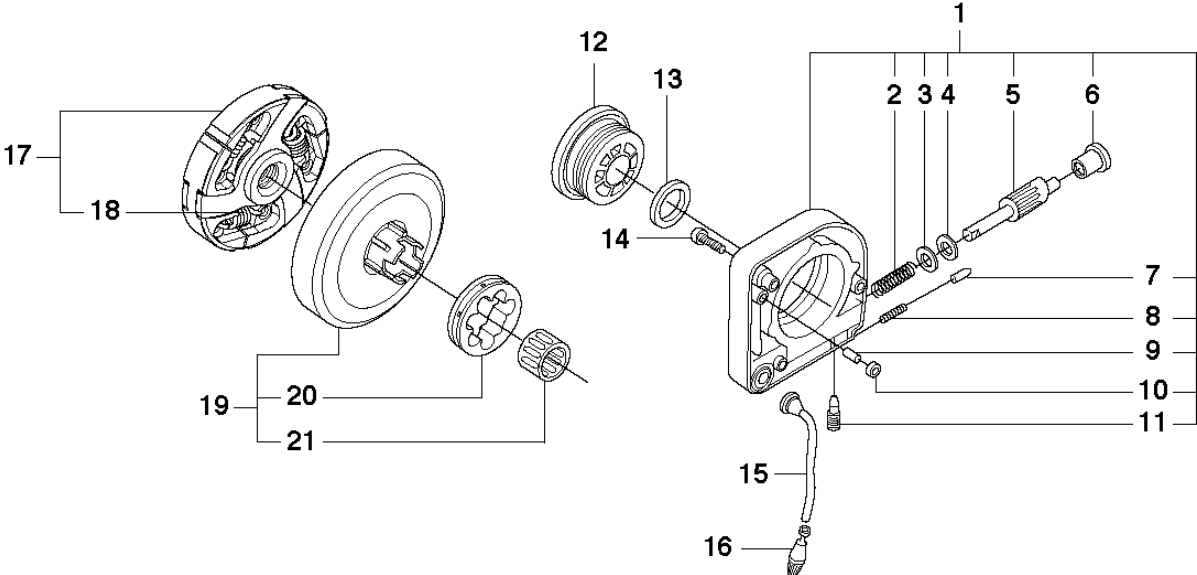


## CHAIN BRAKE &amp; CLUTCH COVER

395 XP, 395 XP EPA, 2010-06

Ref	Part no.	Description	Remark	Qty	Kit
1	503 73 15-06	CHAIN BRAKE ASSY		1	
2	503 76 08-01	HAND GUARD ASSY		1	1
3	503 80 27-01	PIVOT PIN		1	1, 2
4	735 31 08-20	E-CLIP		1	1, 2
5	503 57 97-01	POSITION SPRING		1	1, 2
6	720 12 33-00	PARALLEL PIN		1	1
7	503 21 28-10	SCREW CCRPANT		1	1
8	501 87 53-01	KNEE JOINT ASSY		1	1
9	503 71 71-01	BRAKE SPRING		1	1
10	503 72 07-02	BRAKE BAND		1	1
11	721 42 52-50	SPRING PIN		1	1
12	503 72 08-01	CLUTCH COVER		1	1
13	503 72 06-01	LID		1	1
14	503 57 37-01	CHIP GUARD		1	1
15	503 21 28-10	SCREW CCRPANT		4	1
16	501 51 72-01	CHAIN GUIDE		1	1
17	503 22 00-01	HEXAGON NUT FLANGE		2	1
18	501 87 47-01	SPRING		1	1
19	503 52 08-01	SHAFT PIVOT		1	1
20	501 76 80-01	SHAFT PIVOT		1	1
21	503 20 26-16	SCREW IHSCM		1	1
22	537 32 95-01	LABEL		1	
23	503 69 02-01	SPIKE OUTER		1	
24	503 22 24-01	LOCKING NUT		2	
25	503 71 24-01	SPIKE OUTER		1	
26	503 20 02-12	SCREW IHSCFM		2	

395, 395 EPA  
CLUTCH & OIL PUMP

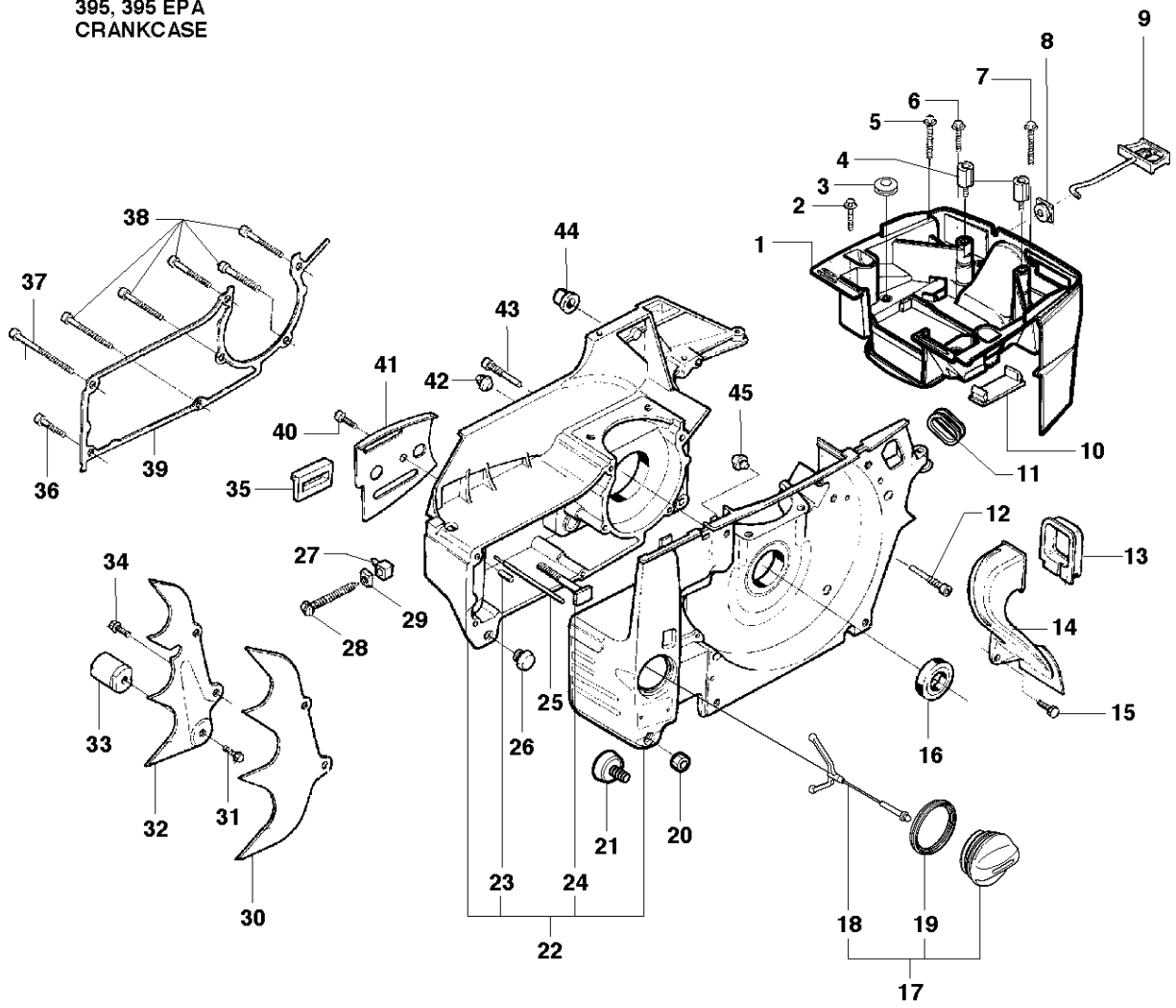


## CLUTCH &amp; OIL PUMP

395 XP, 395 XP EPA, 2010-06

Ref	Part no.	Description	Remark	Qty	Kit
1	503 46 37-02	OIL PUMP ASSY		1	
2	501 54 48-01	SPRING		1	1
3	503 23 10-02	WASHER		1	1
4	503 23 00-19	WASHER		1	1
5	503 46 40-01	PUMP PISTON		1	1
6	503 46 43-01	TÄTNINGSPROPP		1	1
7	503 42 14-01	INDEXTAPP		1	1
8	503 42 24-01	SPRING		1	1
9	721 42 03-25	PINNE FRP-LS3X6 OXSV		1	1
10	501 28 85-01	X-RING 2.9X6.46X1.78		1	1
11	503 46 42-01	PIN SCREW		1	1
12	503 55 75-01	GEAR WHEEL		1	
13	503 23 00-58	WASHER		1	
14	725 52 95-55	SCREW IHSCM		3	
15	501 51 99-01	OIL HOSE		1	
16	501 54 41-02	OIL SCREEN		1	
17	503 70 15-02	CLUTCH ASSY		1	
18	503 14 51-01	CLUTCH SPRING		3	17
19	503 62 59-03	CLUTCH DRUM		1	
19	503 62 59-04	CLUTCH DRUM		1	
20	501 59 80-02	RIM		1	19
20	501 59 79-02	RIM		1	19
21	503 25 30-01	NEEDLE BEARING		1	19

395, 395 EPA  
CRANKCASE

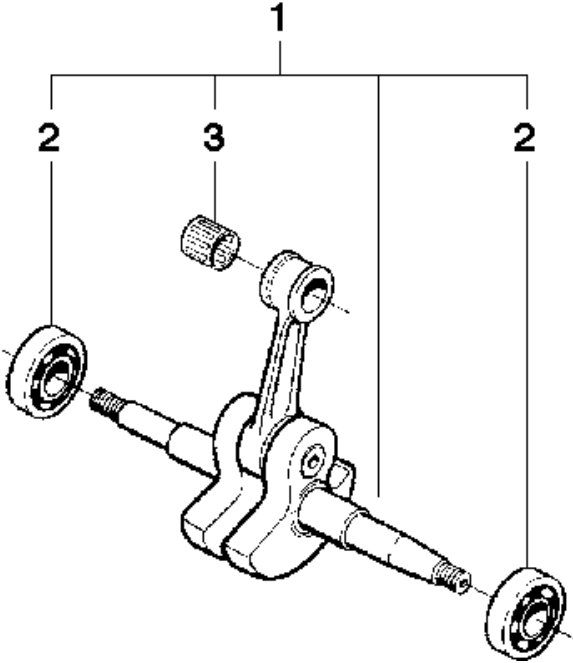


## CRANKCASE

395 XP, 395 XP EPA, 2010-06

Ref	Part no.	Description	Remark	Qty	Kit
1	537 33 80-01	CARBURETTOR AREA BAS		1	
2	503 20 02-16	SCREW IHSCFM		2	
3	501 27 13-02	CABLE GROMMET		1	
4	537 10 31-01	ANTIVIBRATION ELEMENT		2	
5	503 20 02-25	SCREW IHSCFM		1	
6	503 20 02-16	SCREW IHSCFM		1	
7	503 20 02-25	SCREW IHSCFM		1	
8	537 08 64-01	GROMMET		1	
9	537 01 83-01	CHOKE CONTROL		1	
10	501 49 27-03	BLIND COVER		1	
11	537 08 83-01	GROMMET		1	
12	503 74 93-01	SCREW		1	
13	503 52 40-01	GROMMET		1	
14	503 46 84-01	AIR NOZZLE		1	
15	724 13 25-55	SCREW CRPANM		1	
16	503 26 02-05	SEALING RING		1	
17	537 21 52-02	TANK CAP ASSY		1	
18	503 57 89-01	HOLDER		1	17
19	537 21 50-01	SEALING		1	17
20	731 23 14-01	HEXAGON NUT		1	
21	503 83 92-71	LATERAL SUPPORT		1	
22	503 46 80-02	CRANKCASE ASSY		1	
23	501 27 08-01	GUIDE BUSHING		1	22
24	537 05 13-01	BAR BOLT		2	22
25	503 66 84-04	TANK VENT ASSY		1	
26	503 47 16-01	BUFFER		1	
27	501 53 74-01	PAWL		1	
28	503 46 77-01	SCREW		1	
29	501 53 73-01	LOCKING NUT		1	
30	503 55 24-01	INDRE BARKSTØD		1	
31	503 21 05-22	SCREW IHSCFT		1	
32	503 47 00-01	BARKSTØD		1	
33	503 47 05-01	CHAIN CATCHER ASSY		1	
34	503 20 02-16	SCREW IHSCFM		1	
35	501 51 72-01	CHAIN GUIDE		1	
36	725 53 33-55	SCREW IHSCM		1	
37	725 53 43-55	SCREW IHSCM		1	
38	725 53 37-55	SCREW IHSCM		5	
39	503 47 17-01	CRANKCASE GASKET		1	
40	503 21 27-10	SCREW CRPANT		1	
41	503 46 55-01	PROTECTIVE PLATE		1	
42	501 48 53-03	BUFFER		1	
43	503 74 93-01	SCREW		1	
44	503 72 31-01	BUSHING		1	
45	501 48 53-03	BUFFER		1	

**395, 395 EPA  
CRANKSHAFT**



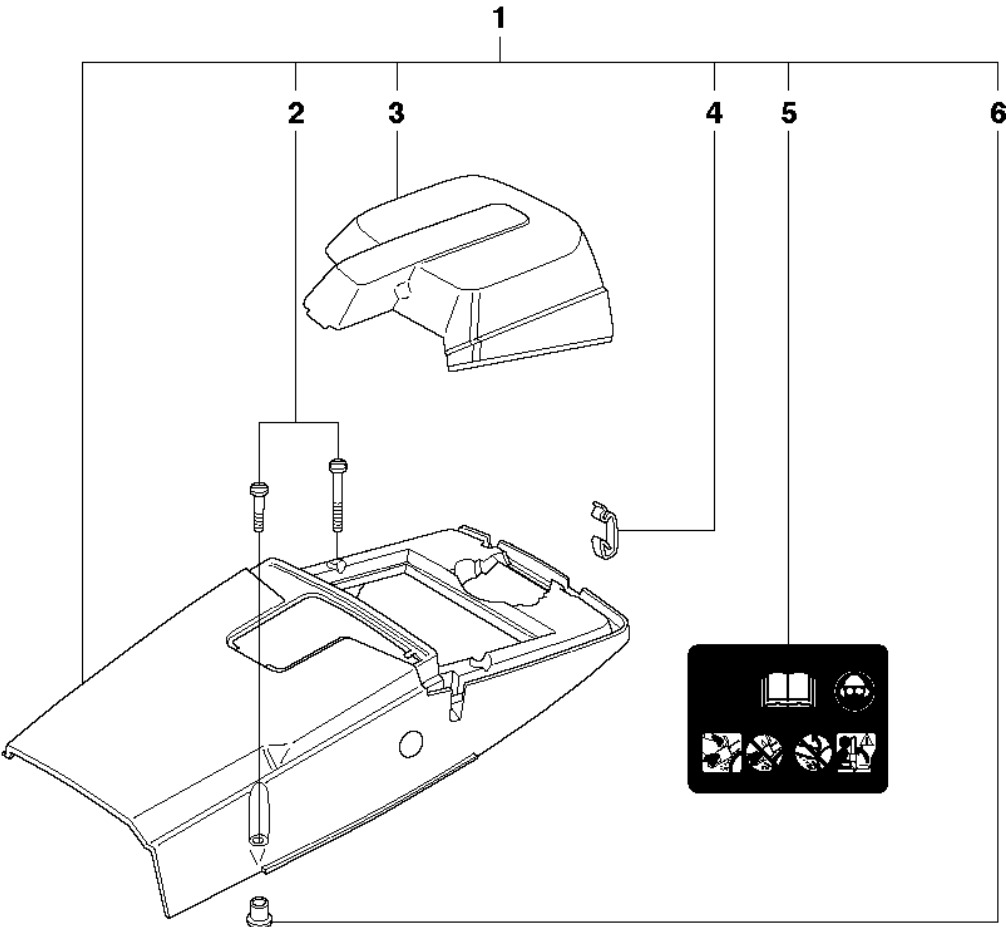


## CRANKSHAFT

395 XP, 395 XP EPA, 2010-06

Ref	Part no.	Description	Remark	Qty	Kit
1	537 09 05-71	CRANKSHAFT ASSY		1	
2	738 22 03-25	BALL BEARING		2	
3	503 25 61-01	NEEDLE BEARING		1	

**395, 395 EPA  
CYLINDER COVER**

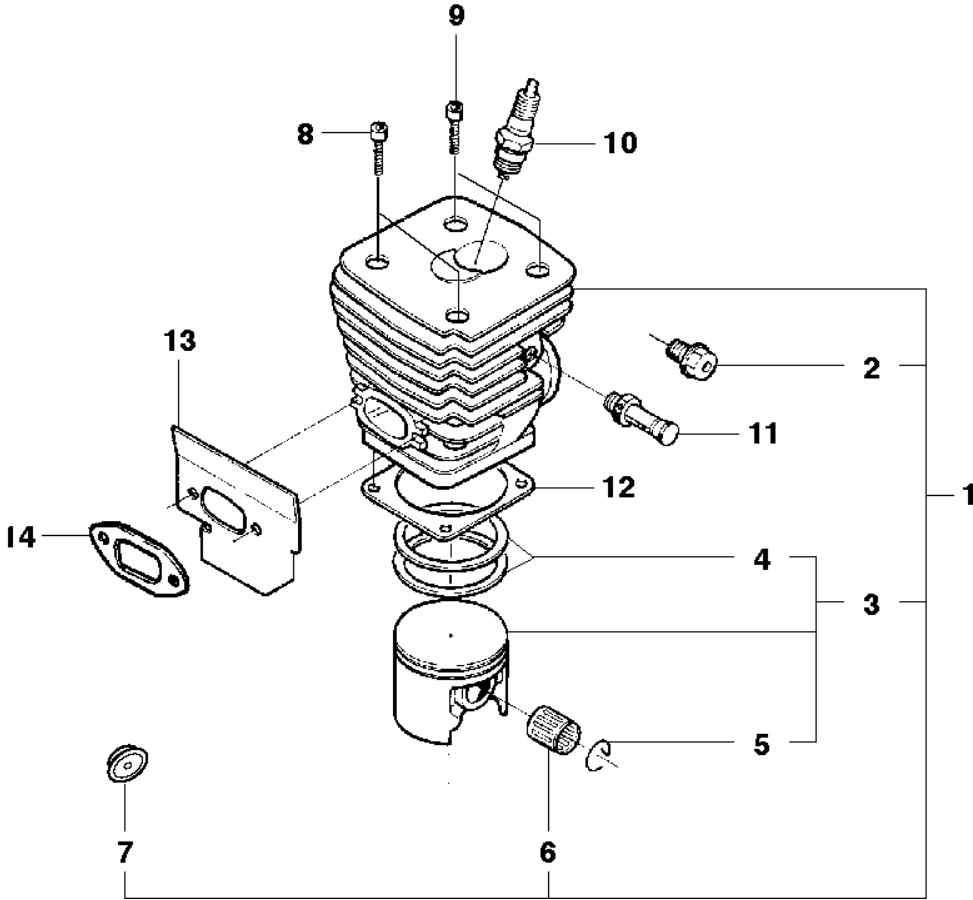


CYLINDER COVER

395 XP, 395 XP EPA, 2010-06

Ref	Part no.	Description	Remark	Qty	Kit
1	503 52 64-09	CYLINDER COVER ASSY		1	
2	503 20 34-25	SCREW CRPANMO		3	1
3	503 73 38-02	FILTER COVER		1	1
4	503 54 35-04	SPRING		4	1
5	503 98 74-01	LABEL		1	1
6	537 05 59-01	SLEEVE		1	1

**395, 395 EPA  
CYLINDER PISTON**

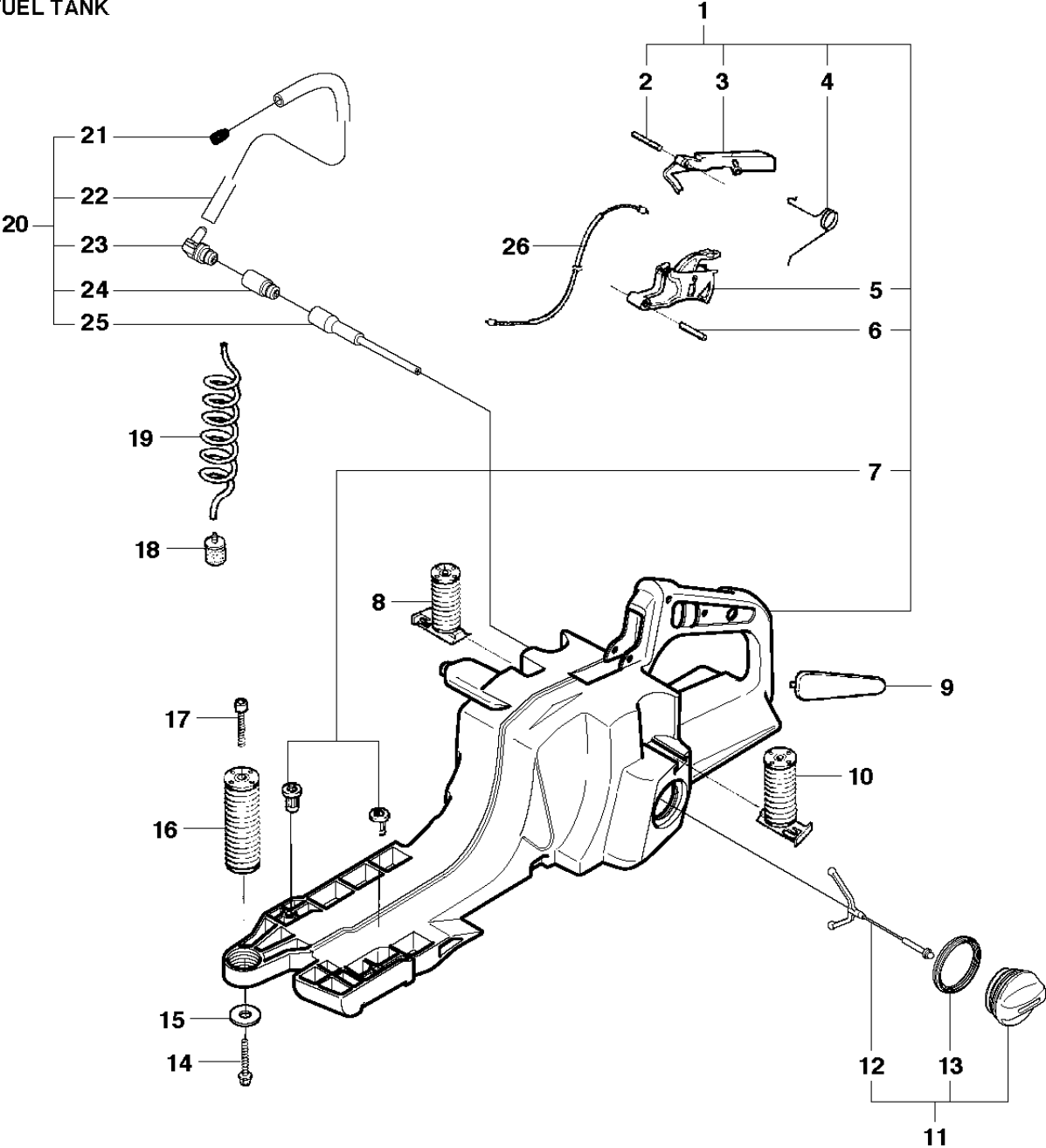


## CYLINDER PISTON

395 XP, 395 XP EPA, 2010-06

Ref	Part no.	Description	Remark	Qty	Kit
1	503 99 39-03	CYLINDER		1	
2	503 55 22-01	PLUG		1	1
3	537 13 76-71	PISTON ASSY		1	1
4	503 28 90-35	PISTON RING		2	1, 3
5	737 44 13-00	CIRCLIP		2	1, 3
6	503 25 61-01	NEEDLE BEARING		1	1
7	501 61 52-01	PLUG		1	1
8	503 21 60-25	SCREW		2	
9	503 21 60-40	SCREW		2	
10	503 23 51-09	SPARK PLUG		1	
11	503 71 53-01	DECOMPRESSION VALVE		1	
12	503 46 56-01	GASKET		1	
13	503 47 49-01	HEAT DEFLECTOR		1	
14	503 92 07-01	GASKET		1	

395, 395 EPA  
FUEL TANK

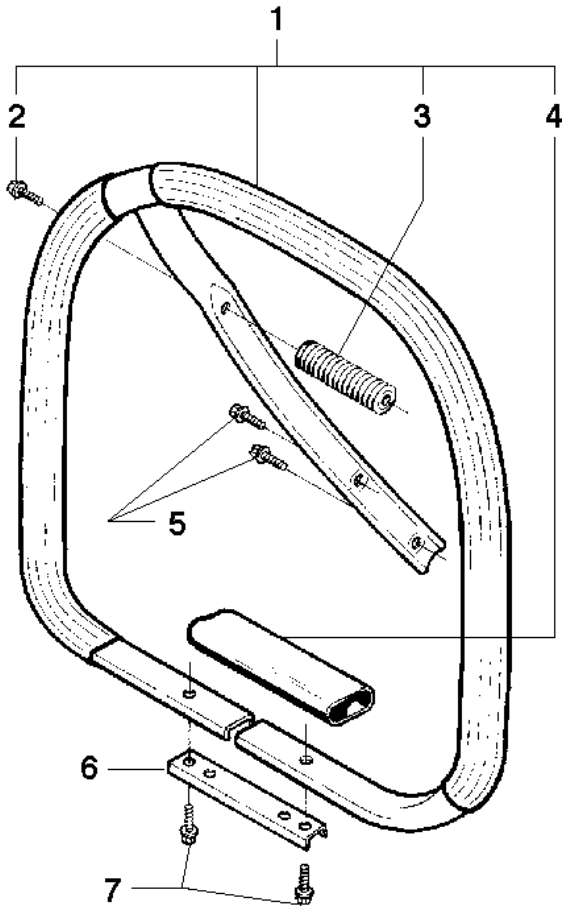
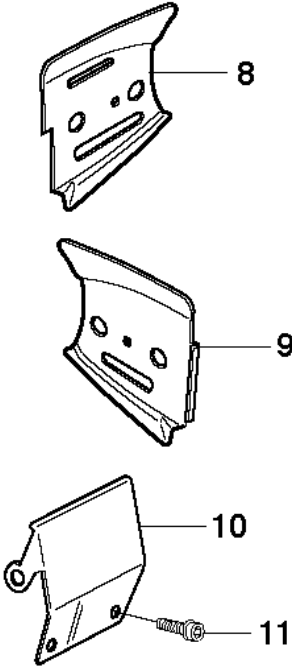


## FUEL TANK

395 XP, 395 XP EPA, 2010-06

Ref	Part no.	Description	Remark	Qty	Kit
1	503 47 34-02	FUEL TANK		1	
2	720 12 40-20	PARALLEL PIN		1	1
3	503 55 66-01	THROTTLE LOCKOUT		1	1
4	503 73 64-01	SPRING		1	1
5	503 82 98-01	THROTTLE TRIGGER		1	1
6	720 12 72-20	PARALLEL PIN		1	1
7	503 75 38-01	THREAD ADAPTER		2	1
8	503 46 95-01	ANTIVIBRATION ELEMENT		1	
8	503 46 95-02	ANTIVIBRATION ELEMENT		1	
9	537 03 34-01	HANDLE INSERT		2	
10	503 46 88-01	ANTIVIBRATION ELEMENT		1	
10	503 46 88-02	ANTIVIBRATION ELEMENT		1	
11	537 21 52-02	TANK CAP ASSY		1	
12	503 57 89-01	HOLDER		1	11
13	537 21 50-01	SEALING		1	11
14	503 20 02-25	SCREW IHSCFM		1	
15	503 23 00-35	WASHER		1	
16	503 46 85-01	ANTIVIBRATION ELEMENT		1	
17	503 20 02-25	SCREW IHSCFM		1	
18	503 44 32-01	FILTER		1	
19	544 32 50-02	FUEL HOSE		1	
20	537 33 81-01	TANK VENT ASSY		1	
21	504 35 72-01	SINTER PLUG		1	20
22	544 32 49-06	FUEL HOSE		1	20
23	537 09 93-01	CONNECTION BEND		1	20
24	537 19 01-01	ADAPTER		1	20
25	537 09 22-01	TANK VENT ASSY		1	20
26	503 71 76-02	THROTTLE WIRE ASSY		1	

**395, 395 EPA  
HANDLE**



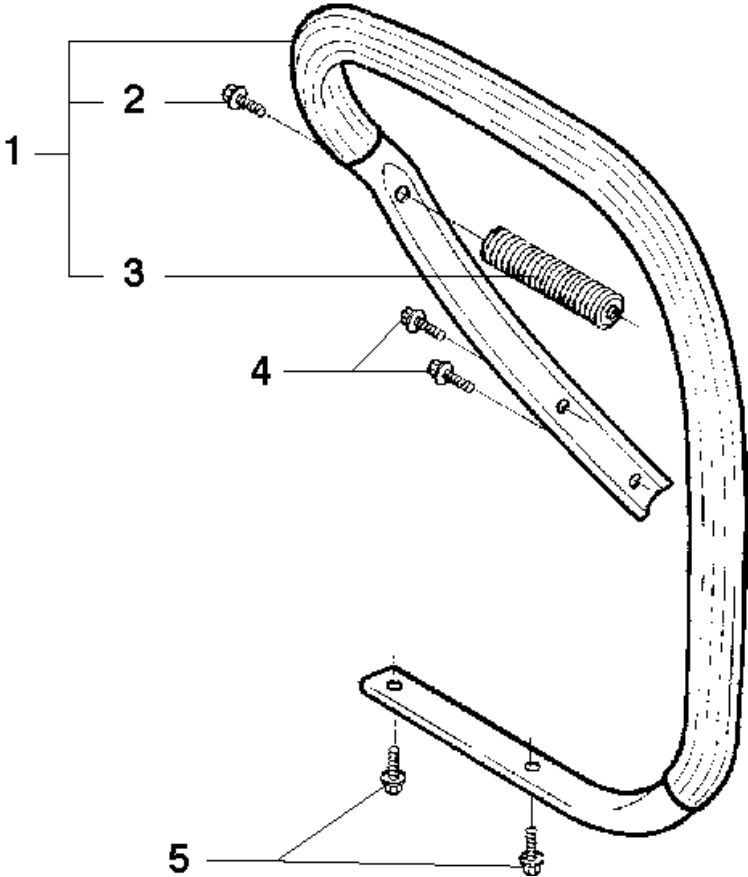


## HANDLE

395 XP, 395 XP EPA, 2010-06

Ref	Part no.	Description	Remark	Qty	Kit
1	503 46 32-04	FRONT HANDLE ASSY		1	
1	503 46 32-71	FRONT HANDLE ASSY		1	
2	503 21 05-22	SCREW IHSCFT		1	1
3	503 52 87-02	LATERAL SUPPORT ASSY		1	1
4	503 63 45-01	PROTECTION		1	1
5	503 21 05-22	SCREW IHSCFT		2	
6	503 41 79-01	ATTACHMENT PLATE		1	
7	503 20 03-16	SCREW IHSCFM		2	
8	503 66 57-01	SHEET		1	
9	503 66 58-01	SHEET		1	
10	503 93 47-01	PROTECTIVE PLATE		1	
11	503 20 02-12	SCREW IHSCFM		2	

**395, 395 EPA  
HANDLE**

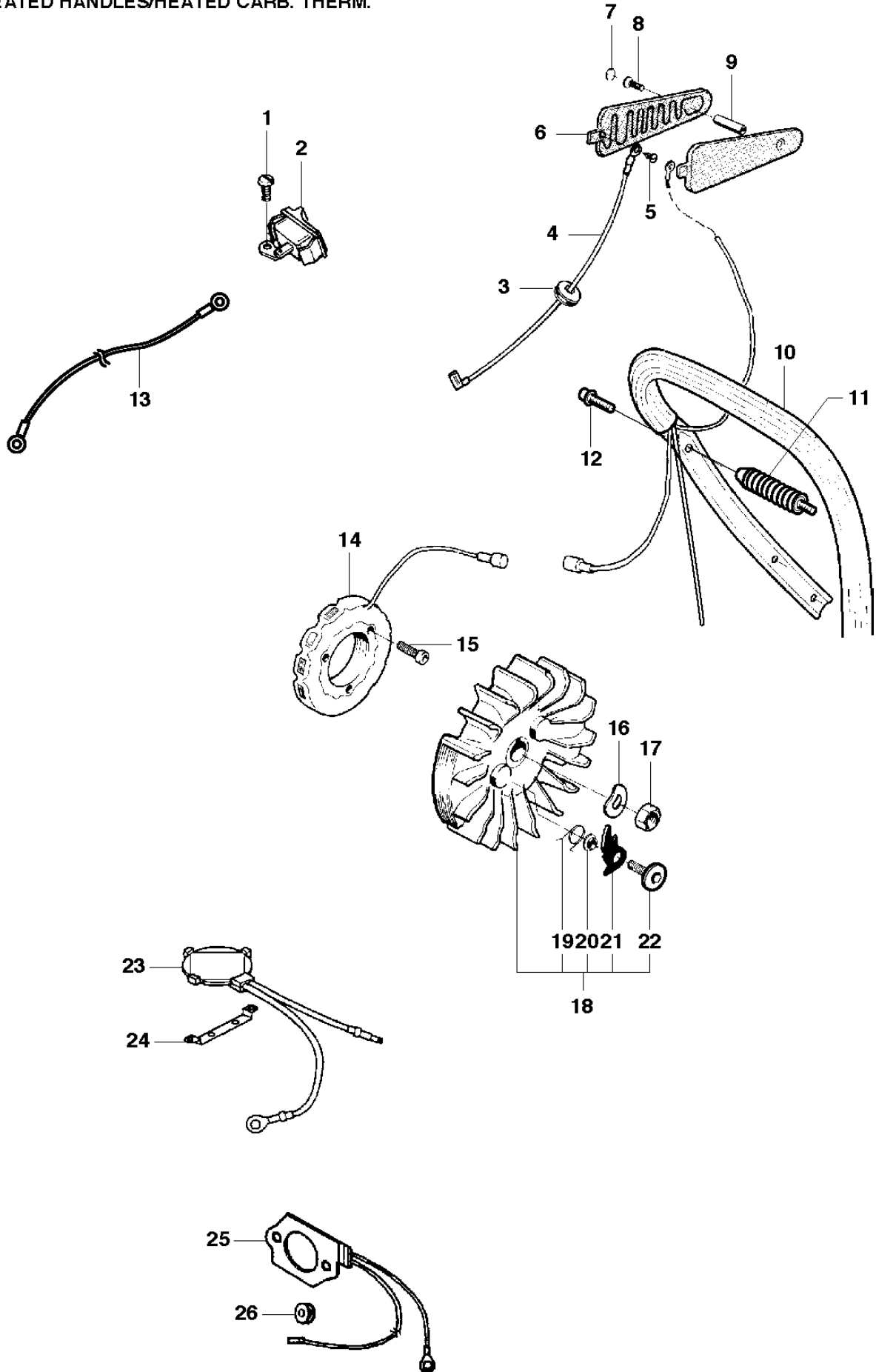


## HANDLE

395 XP, 395 XP EPA, 2010-06

Ref	Part no.	Description	Remark	Qty	Kit
1	503 46 35-71	FRONT HANDLE ASSY		1	
2	503 21 05-22	SCREW IHSCFT		1	1
3	503 52 87-02	LATERAL SUPPORT ASSY		1	1
4	503 21 05-22	SCREW IHSCFT		2	
5	503 20 03-16	SCREW IHSCFM		2	

395, 395 EPA  
HEATED HANDLES/HEATED CARB. THERM.

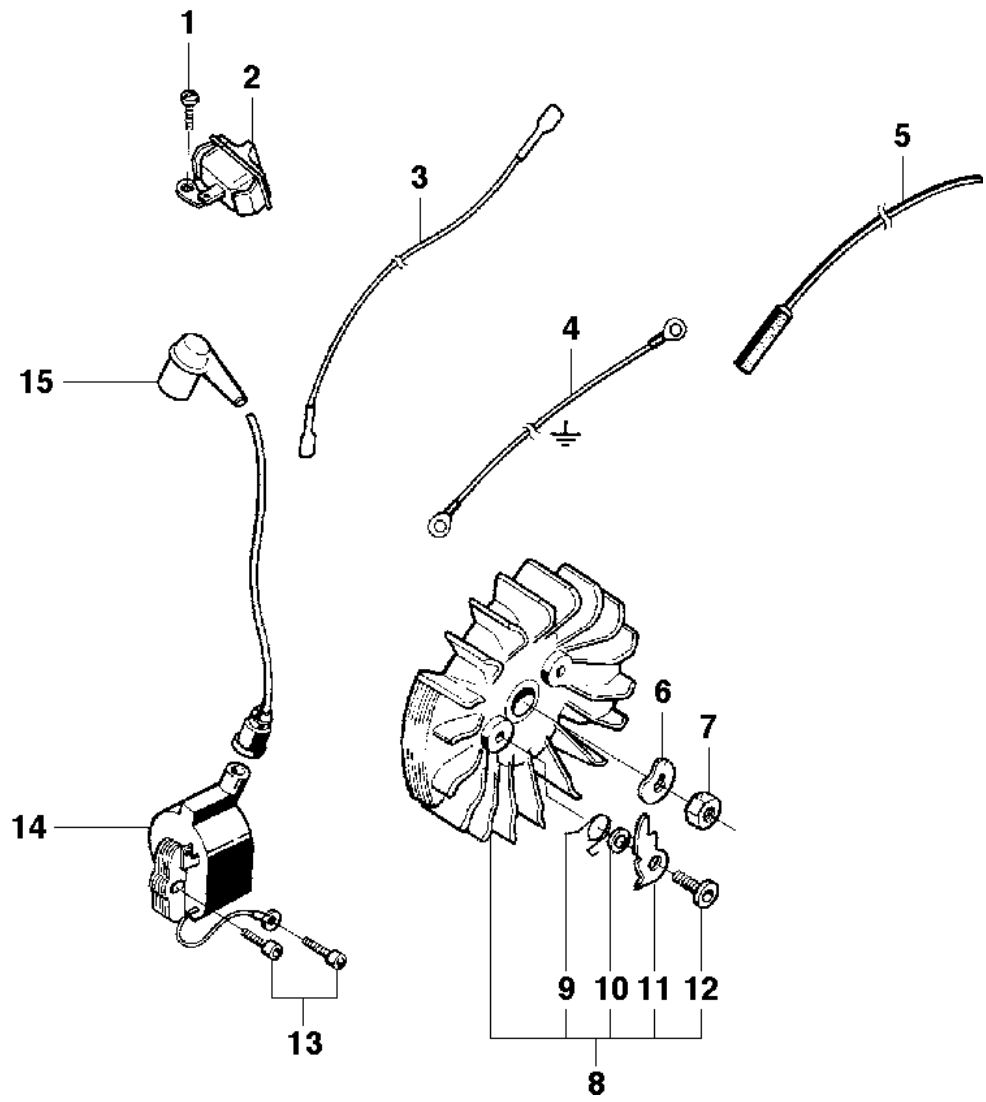


## HANDLES HEATED

395 XP, 395 XP EPA, 2010-06

Ref	Part no.	Description	Remark	Qty	Kit
1	503 21 28-10	SCREW CCRPANT		1	
2	503 71 81-01	SWITCH		1	
3	501 43 00-01	CABLE GROMMET		1	
4	501 63 44-07	CABLE		1	
5	503 21 29-06	SCREW CCRPANT		1	
6	501 62 93-08	HANDLE INSERT ASSY		2	
7	501 79 51-02	COVER WASHER		1	
8	724 32 24-05	SCREW CRCSFM		1	
9	501 59 74-03	SPACER		1	
10	503 46 35-73	FRONT HANDLE ASSY		1	
11	503 52 87-02	LATERAL SUPPORT ASSY		1	
12	503 21 05-22	SCREW IHSCFT		1	
13	503 44 06-02	GROUND CABLE		1	
14	537 09 62-01	STATOR ASSY		1	
15	725 52 91-56	SCREW IHSCM		3	
16	503 23 01-01	WASHER		1	
17	503 22 10-11	HEXAGON NUT		1	
18	503 68 94-02	FLYWHEEL ASSY		1	
19	501 67 35-01	SPRING		2	18
20	503 23 00-42	WASHER		2	18
21	501 67 32-01	PAWL		2	18
22	501 81 99-01	SCREW		2	18
23	537 18 98-01	THERMOSTAT ASSY		1	
24	537 06 32-01	RETAINER		1	
25	537 06 53-02	FOIL ELEMENT		1	
26	501 43 00-01	CABLE GROMMET		1	

**395, 395 EPA  
IGNITION SYSTEM**

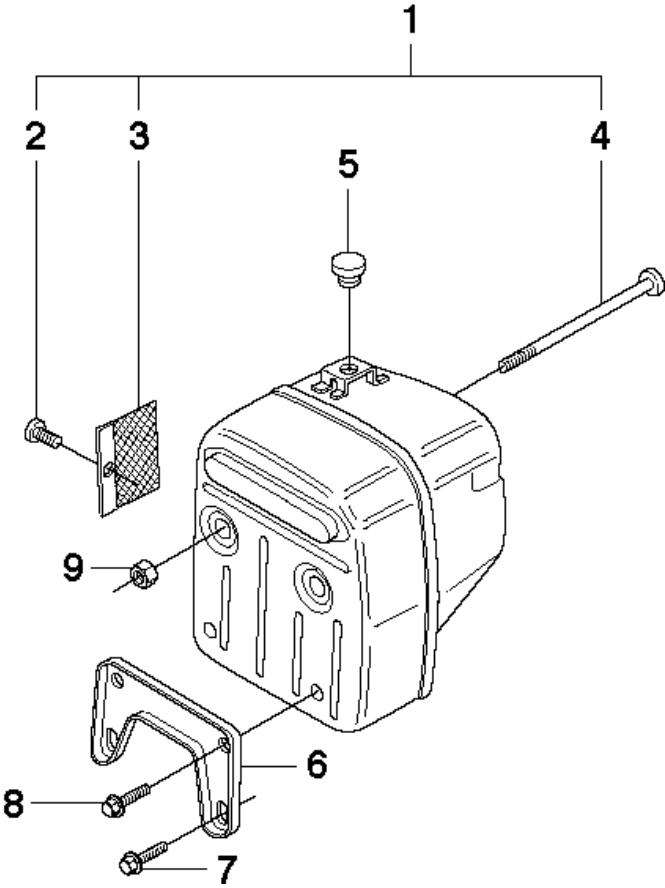


## IGNITION SYSTEM

395 XP, 395 XP EPA, 2010-06

Ref	Part no.	Description	Remark	Qty	Kit
1	503 21 28-10	SCREW CCRPANT		1	
2	503 71 79-01	STOP SWITCH		1	
3	501 83 98-08	CABLE		1	
4	503 52 78-01	WIRING		1	
5	501 08 17-01	IGNITION CABLE		1	
6	503 23 01-01	WASHER		1	
7	503 22 10-11	HEXAGON NUT		1	
8	503 68 94-01	FLYWHEEL ASSY		1	
9	501 67 35-01	SPRING		2	8
10	503 23 00-42	WASHER		2	8
11	501 67 32-01	PAWL		2	8
12	501 81 99-01	SCREW		2	8
13	725 52 95-55	SCREW IHSCM		2	
14	503 63 98-01	IGNITION MODULE		1	
15	501 48 54-02	SPARK PLUG CAP		1	

**395, 395 EPA  
MUFFLER**



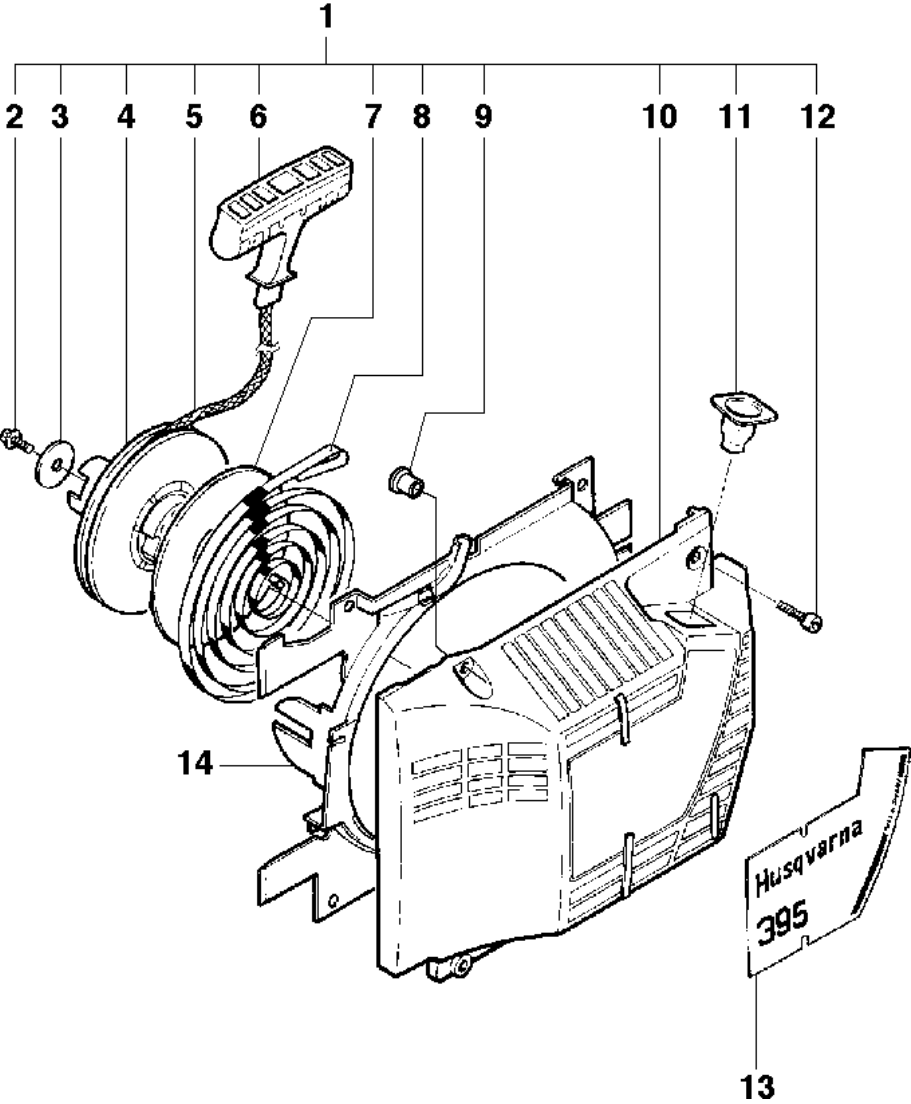


## MUFFLER

395 XP, 395 XP EPA, 2010-06

Ref	Part no.	Description	Remark	Qty	Kit
1	503 71 13-07	MUFFLER		1	
1	503 71 13-04	MUFFLER		1	
2	724 12 87-59	SCREW CRPANM		1	1
3	503 66 94-02	SPARK ARRESTOR SCREEN		1	1
4	503 21 89-01	SCREW		2	1
5	501 51 54-02	SUPPORT		1	
6	503 52 29-02	BRACKET		1	
7	503 20 02-16	SCREW IHSCFM		2	
8	503 20 07-02	SCREW IHSCFM		2	
9	503 22 24-02	LOCKING NUT		2	

**395, 395 EPA  
STARTER**



## STARTER

395 XP, 395 XP EPA, 2010-06

Ref	Part no.	Description	Remark	Qty	Kit
1	503 46 24-02	STARTER ASSY		1	
2	503 21 49-16	SCREW IHSCFT		1	1
3	503 23 43-02	WASHER		1	1
4	501 89 67-02	STARTER PULLEY		1	1
5	503 43 29-03	STARTER CORD		1	1
6	503 54 39-01	STARTER HANDLE		1	1
7	503 74 36-01	DAMPING DISC		1	1
8	503 13 50-01	RECOIL SPRING ASSY		1	1
9	503 84 20-01	SLEEVE		1	1
10	537 11 42-01	STARTER HOUSING		1	1
11	501 63 06-01	REINFORCEMENT SLEEVE		1	1
12	503 20 34-19	SCREW CRPANMO		4	1
13	537 32 67-01	LABEL		1	
13	537 32 67-02	LABEL		1	
14	503 46 48-01	AIR CONDUCTOR		1	