



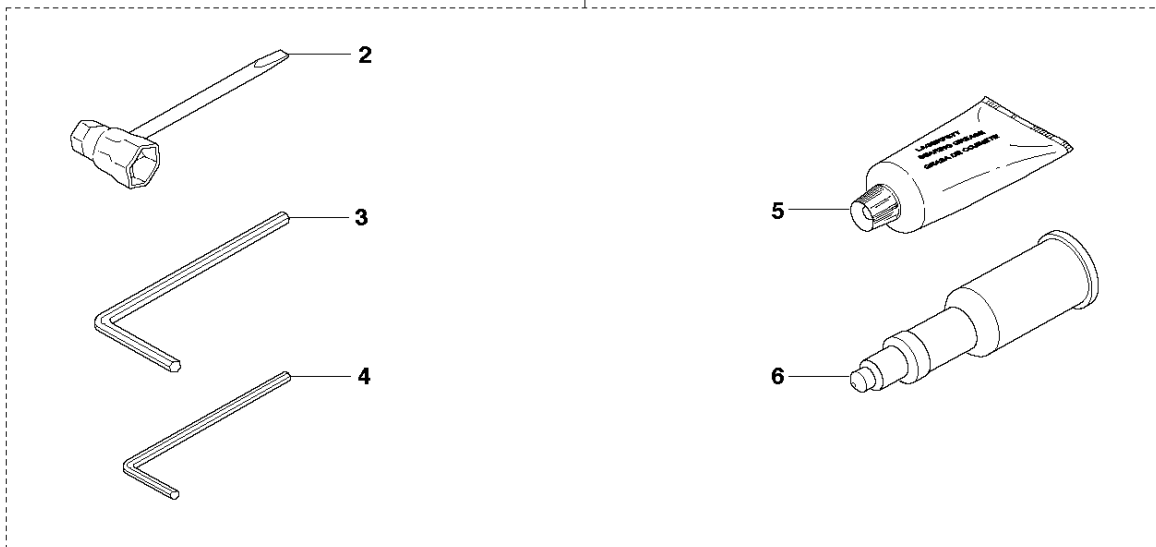
SPARE PARTS LIST

CHAIN SAWS

365 SPECIAL, 2011-05

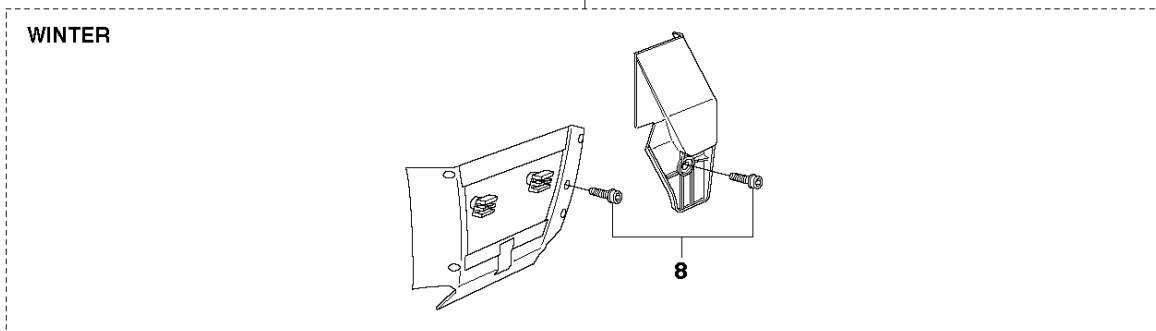
P 365SP
ACCESSORIES

1



7

WINTER



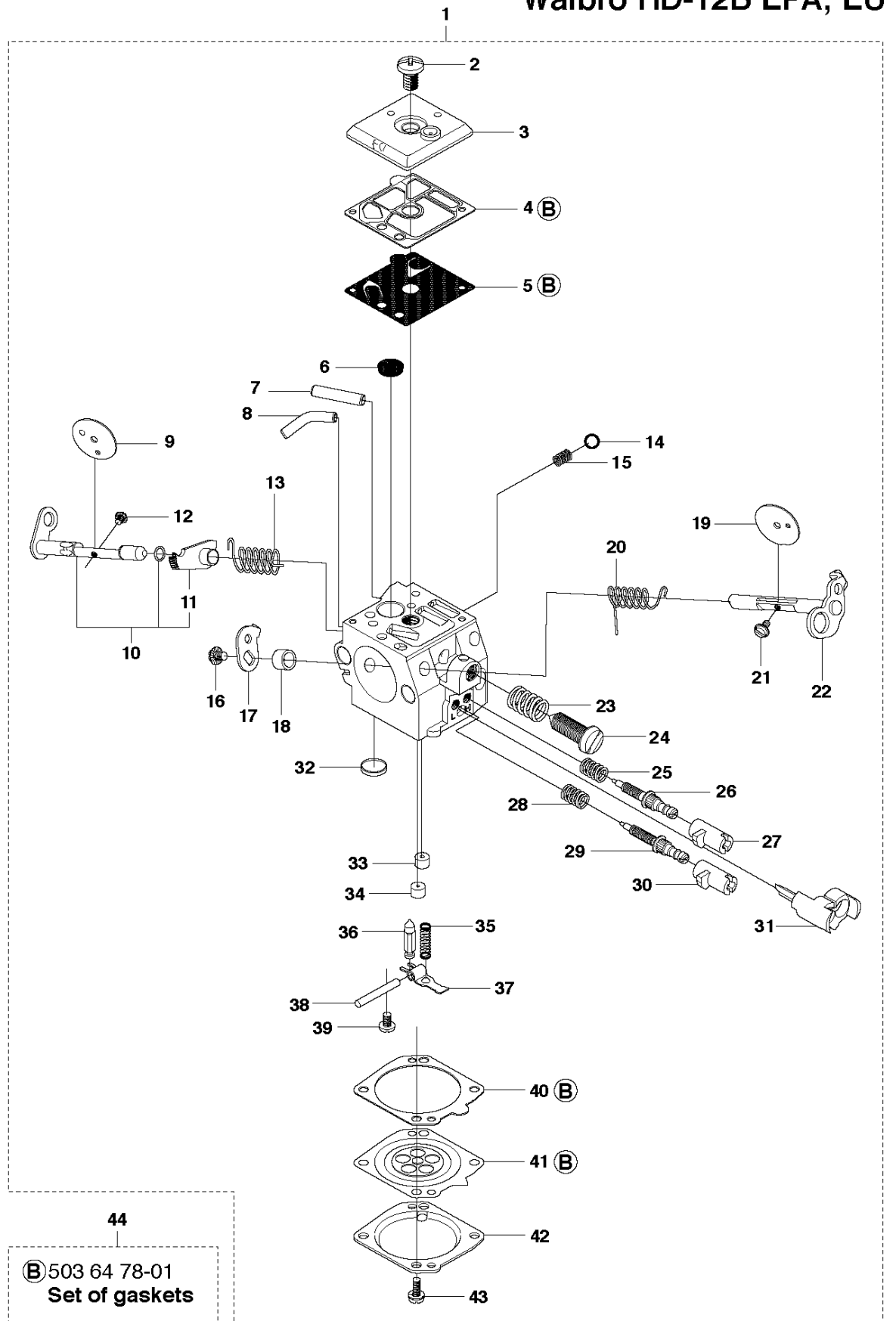
ACCESSORIES

365 SPECIAL, 2011-05

| Ref | Part no. | Description | Remark | Qty | Kit |
|-----|--------------|--------------------|--------|-----|-----|
| 1 | 503 55 85-01 | TOOL | | 1 | |
| 2 | 501 69 17-01 | COMBINATION WRENCH | | 1 | 1 |
| 3 | 503 55 86-02 | SPANNER | NV5 | 1 | 1 |
| 4 | 503 55 86-01 | SPANNER | NV4 | 1 | 1 |
| 5 | 503 62 12-01 | GREASE | | 1 | 1 |
| 6 | 501 91 14-01 | GREASE GUN | | 1 | 1 |
| 7 | 503 96 90-08 | KIT | WINTER | 1 | |
| 8 | 503 21 27-16 | SCREW CRPANT | | 1 | 7 |

N 365SP
CARBURETOR

Walbro HD-6B
Walbro HD-12B EPA, EU



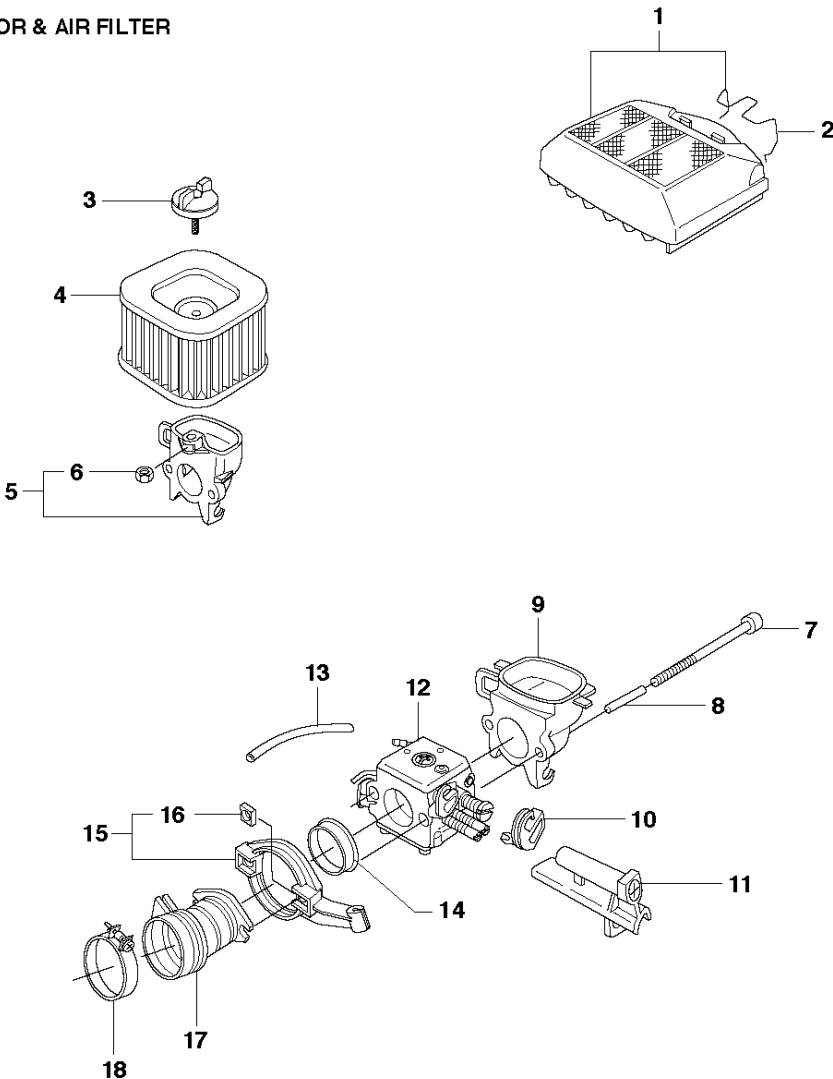
(B) 503 64 78-01
Set of gaskets

CARBURETOR

365 SPECIAL, 2011-05

| Ref | Part no. | Description | Remark | Qty | Kit |
|-----|--------------|---------------------|--------------------|-----|-------|
| 1 | 503 28 18-04 | CARBURETTOR | | 1 | |
| 1 | 503 28 18-05 | CARBURETTOR | EPA, EU | 1 | |
| 2 | 501 46 69-01 | SCREW | | 1 | |
| 3 | 503 79 98-01 | COVER | | 1 | |
| 4 | 501 66 69-01 | GASKET | | 1 | 1, 44 |
| 5 | 502 25 47-01 | DIAPHRAGM PUMP | | 1 | 1, 44 |
| 6 | 501 66 61-01 | SCREEN-INLET | | 1 | |
| 7 | 503 85 59-01 | FITTING | | 1 | |
| 8 | 503 80 14-01 | FITTING | | 1 | |
| 9 | 503 85 58-01 | VALVE | | 1 | |
| 10 | 537 01 91-01 | SHAFT ASSY | | 1 | |
| 11 | 537 01 89-01 | LEVER | | 1 | 1, 10 |
| 12 | 501 46 87-01 | SCREW | | 1 | |
| 13 | 537 01 90-01 | SPRING | | 1 | |
| 14 | 501 46 85-01 | BALL-CHOKE FRICTION | | 1 | |
| 15 | 501 46 84-01 | SPRING | | 1 | |
| 16 | 501 46 87-01 | SCREW | | 1 | |
| 17 | 503 79 96-01 | LEVER | | 1 | |
| 18 | 503 80 15-01 | WASHER | | 1 | |
| 19 | 503 80 00-01 | VALVE | | 1 | |
| 20 | 503 80 09-01 | SPRING | | 1 | |
| 21 | 530 03 50-15 | SCREW | | 1 | |
| 22 | 503 79 99-01 | SHAFT | | 1 | |
| 23 | 501 66 78-01 | SPRING | | 1 | |
| 24 | 503 80 08-01 | SCREW | | 1 | |
| 25 | 501 66 77-01 | SPRING | | 1 | |
| 26 | 503 80 11-01 | NEEDLE | H | 1 | |
| 26 | 503 94 39-01 | NEEDLE | H EPA, EU | 1 | |
| 27 | 503 91 39-01 | LIMITER CAP | EPA, EU | 1 | |
| 28 | 501 66 77-01 | SPRING | | 1 | |
| 29 | 504 02 72-13 | NEEDLE-IDLE SPEED | L | 1 | |
| 29 | 503 94 38-01 | NEEDLE | L EPA, EU | 1 | |
| 30 | 503 91 40-01 | LIMITER CAP | EPA, EU | 1 | |
| 31 | 503 91 54-01 | RETAINER | EPA, EU | 1 | |
| 32 | 503 57 42-01 | PLUG-WELCH | | 1 | |
| 33 | 503 80 04-01 | NOZZLE | | 1 | |
| 33 | 503 94 36-01 | NOZZLE ASSY | EPA, EU | 1 | |
| 34 | 503 68 82-01 | JET | | 1 | |
| 34 | 537 00 33-01 | JET | EPA, EU | 1 | |
| 35 | 503 56 24-01 | SPRING | | 1 | |
| 35 | 503 94 37-01 | SPRING | EPA, EU | 1 | |
| 36 | 503 56 34-01 | VALVE INLET NEEDLE | | 1 | |
| 37 | 501 66 83-01 | LEVER-METERING | | 1 | |
| 38 | 505 52 01-25 | PIN-METERING LEVER | | 1 | |
| 39 | 505 31 67-17 | SCREW | | 1 | |
| 40 | 504 13 09-05 | GASKET | | 1 | 1, 44 |
| 41 | 503 80 07-01 | DIAPHRAGM | | 1 | 1, 44 |
| 42 | 537 07 76-01 | COVER | | 1 | |
| 43 | 503 10 87-01 | SCREW | | 4 | |
| 44 | 503 64 78-01 | REPAIR KIT | B = Set of gaskets | 1 | |

G 365SP
CARBURETOR & AIR FILTER

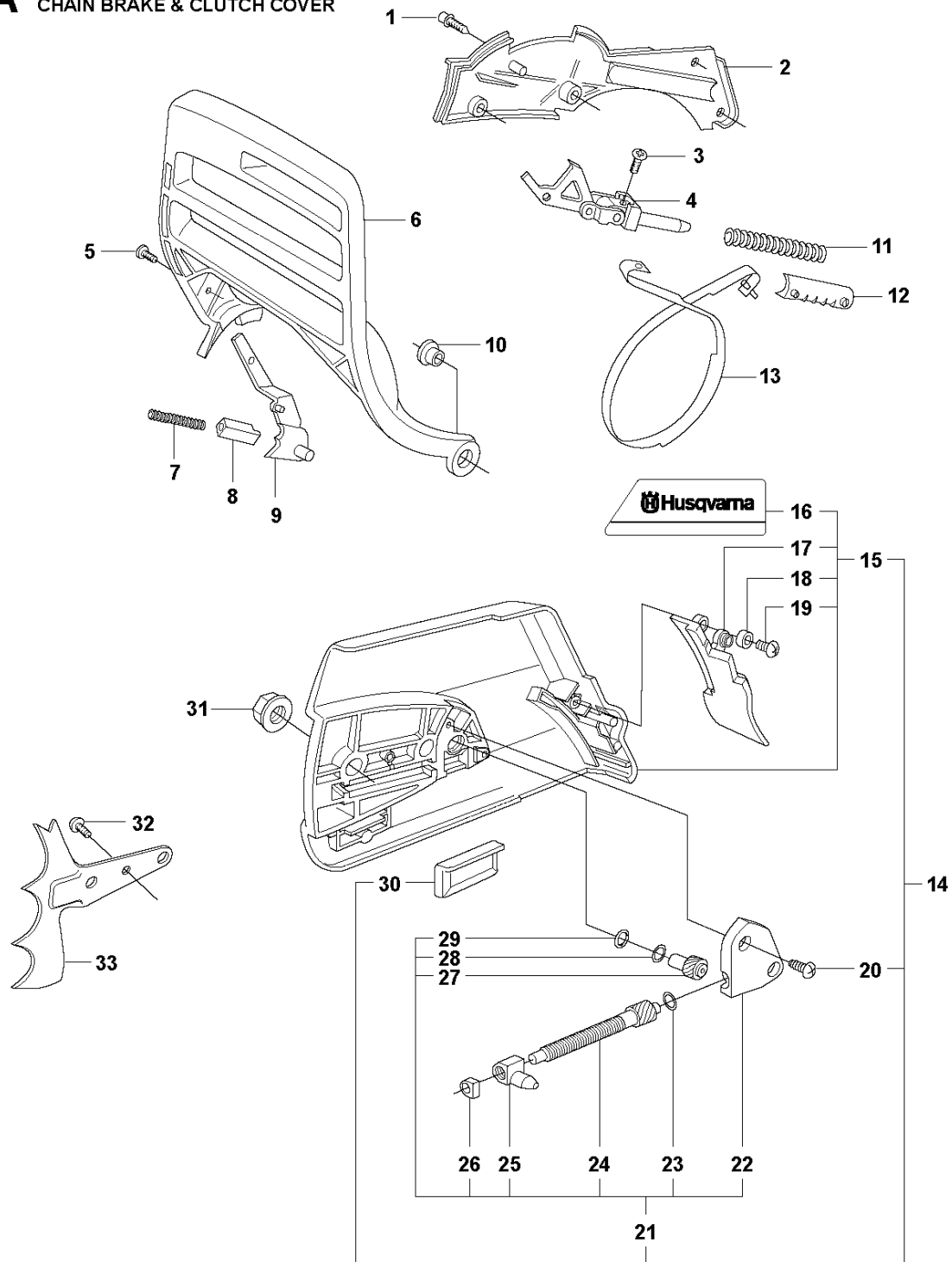


CARBURETOR & AIR FILTER

365 SPECIAL, 2011-05

| Ref | Part no. | Description | Remark | Qty | Kit |
|-----|--------------|------------------|---------|-----|-----|
| 1 | 575 26 91-01 | AIR FILTER ASSY | 80μ | 1 | |
| 1 | 575 26 91-02 | AIR FILTER ASSY | 44μ | 1 | |
| 1 | 575 26 91-03 | AIR FILTER ASSY | Felt | 1 | |
| 2 | 503 73 54-01 | CLAMP | | 1 | |
| 3 | 537 21 32-04 | KNOB | | 1 | |
| 4 | 503 81 80-05 | AIR FILTER | 80μ | 1 | |
| 4 | 503 81 80-06 | AIR FILTER | 44μ | 1 | |
| 4 | 503 81 80-04 | AIR FILTER | Felt | 1 | |
| 5 | 503 81 78-01 | FILTERBLOCK ASSY | | 1 | |
| 6 | 731 23 14-01 | HEXAGON NUT | | 1 | |
| 7 | 725 53 05-55 | SCREW IHSCM | | 2 | |
| 8 | 503 70 11-01 | TUBE | | 2 | |
| 9 | 503 62 75-01 | FILTER HOLDER | | 1 | |
| 10 | 503 68 41-01 | LEVER | | 1 | |
| 11 | 503 66 53-01 | GUIDE BUSHING | | 1 | |
| 11 | 503 66 74-01 | GUIDE BUSHING | EPA, EU | 1 | |
| 12 | 503 28 18-04 | CARBURETTOR | | 1 | |
| 12 | 503 28 18-05 | CARBURETTOR | EPA, EU | 1 | |
| 13 | 503 40 06-06 | IMPULSE HOSE | | 1 | |
| 14 | 503 43 18-01 | SUPPORT SLEEVE | | 1 | |
| 15 | 503 71 27-01 | FLANGE | | 1 | |
| 16 | 503 22 65-03 | SQUARE NUT | | 2 | |
| 17 | 503 96 45-02 | INLET PIPE | RU | 1 | |
| 17 | 503 96 45-01 | INLET PIPE | EPA, EU | 1 | |
| 18 | 505 28 33-01 | HOSE CLAMP | | 1 | |

A 365SP
CHAIN BRAKE & CLUTCH COVER

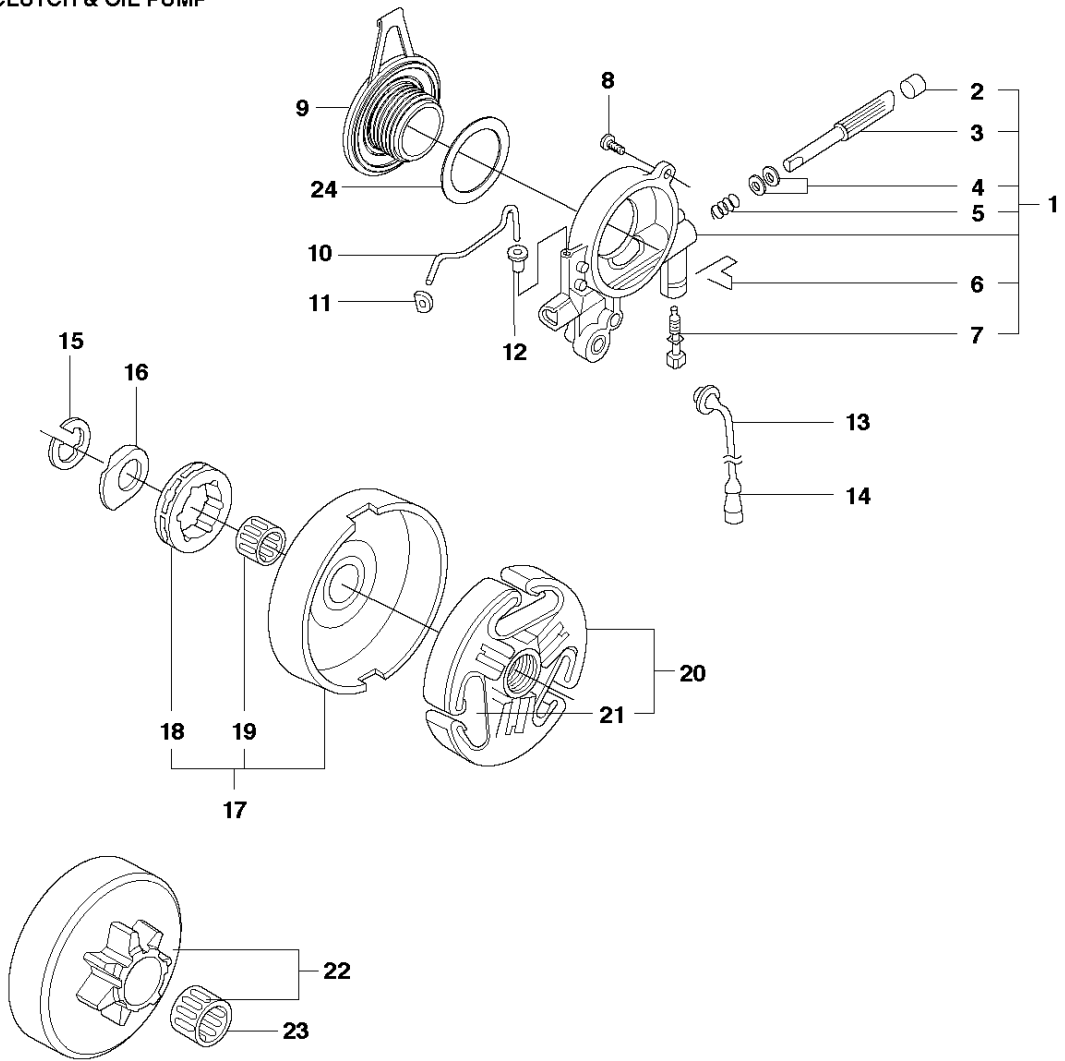


CHAIN BRAKE & CLUTCH COVER

365 SPECIAL, 2011-05

| Ref | Part no. | Description | Remark | Qty | Kit |
|-----|--------------|--------------------|--------|-----|--------|
| 1 | 503 20 02-12 | SCREW IHSCFM | | 4 | |
| 2 | 503 75 11-03 | CAP | | 1 | |
| 3 | 503 21 28-10 | SCREW CCRPANT | | 1 | |
| 4 | 501 87 53-03 | KNEE JOINT | | 1 | |
| 5 | 503 20 26-02 | SCREW IHSCM | | 1 | |
| 6 | 503 76 49-03 | HAND GUARD | | 1 | |
| 7 | 503 43 65-01 | POSITION SPRING | | 1 | |
| 8 | 503 83 81-02 | LOCK | | 1 | |
| 9 | 537 00 87-01 | BRAKE LEVER | | 1 | |
| 10 | 503 77 52-01 | BUSHING | | 1 | |
| 11 | 503 70 99-01 | BRAKE SPRING | | 1 | |
| 12 | 503 79 27-02 | SUPPORT | | 1 | |
| 13 | 503 75 22-02 | BRAKE BAND ASSY | | 1 | |
| 14 | 537 03 35-01 | CLUTCH COVER ASSY | | 1 | |
| 15 | 537 03 35-71 | CLUTCH COVER ASSY | | 1 | 14 |
| 16 | 537 03 38-03 | LABEL | | 1 | 14, 15 |
| 17 | 503 76 29-02 | CHIP GUARD | | 1 | 14, 15 |
| 18 | 503 89 70-01 | SLEEVE | | 1 | 14, 15 |
| 19 | 503 21 28-10 | SCREW CCRPANT | | 1 | 14, 15 |
| 20 | 503 21 28-10 | SCREW CCRPANT | | 2 | 14 |
| 21 | 537 04 41-02 | CHAIN TENSIONER | | 1 | 14 |
| 22 | 537 01 68-01 | COVER | | 1 | 14, 21 |
| 23 | 503 23 00-66 | WASHER | | 1 | 14, 21 |
| 24 | 537 07 95-02 | WORM SCREW | | 1 | 14, 21 |
| 25 | 503 99 83-01 | PAWL | | 1 | 14, 21 |
| 26 | 537 01 74-01 | BEARING SLEEVE | | 1 | 14, 21 |
| 27 | 537 07 94-02 | WORM WHEEL | | 1 | 14, 21 |
| 28 | 503 23 00-63 | WASHER | | 1 | 14, 21 |
| 29 | 740 48 07-02 | O-RING | | 1 | 14, 21 |
| 30 | 501 51 72-01 | CHAIN GUIDE | | 1 | 14 |
| 31 | 503 22 00-01 | HEXAGON NUT FLANGE | | 2 | |
| 32 | 503 21 28-10 | SCREW CCRPANT | | 1 | |
| 33 | 503 71 97-01 | SPIKE OUTER | | 1 | |

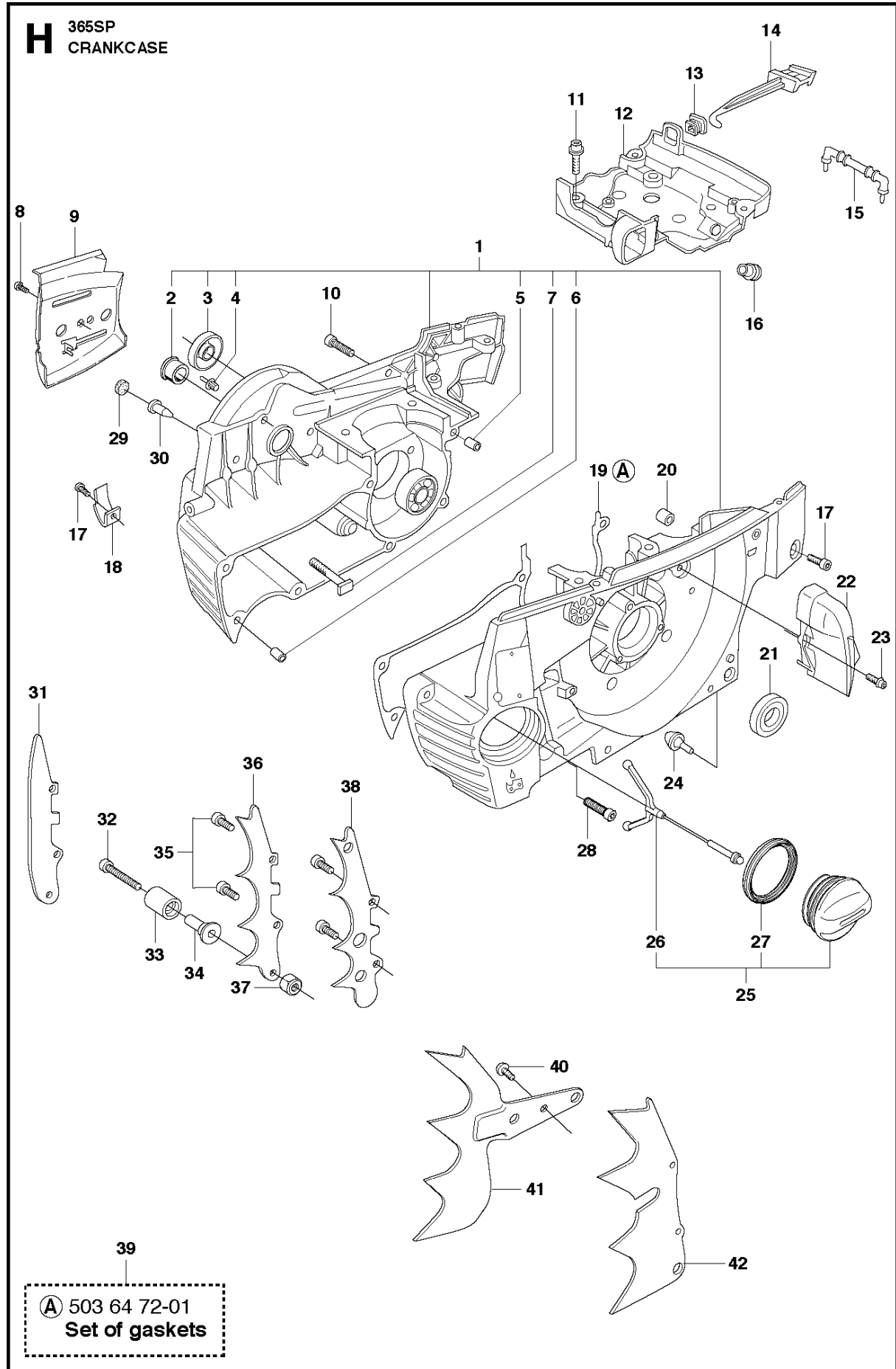
B 365SP
CLUTCH & OIL PUMP



CLUTCH & OIL PUMP

365 SPECIAL, 2011-05

| Ref | Part no. | Description | Remark | Qty | Kit |
|-----|--------------|----------------|-----------|-----|-----|
| 1 | 503 52 13-03 | OIL PUMP ASSY | | 1 | |
| 2 | 503 62 49-01 | SEALING PLUG | | 1 | 1 |
| 3 | 503 52 15-01 | PUMP PISTON | | 1 | 1 |
| 4 | 503 23 00-04 | WASHER | | 2 | 1 |
| 5 | 501 61 58-01 | SPRING | | 1 | 1 |
| 6 | 503 81 30-01 | SPRING | | 1 | 1 |
| 7 | 503 81 13-01 | PIN SCREW | | 1 | 1 |
| 8 | 725 53 29-56 | SCREW IHSCM | | 2 | |
| 9 | 537 20 78-05 | PUMP PINION | | 1 | |
| 10 | 503 77 43-01 | OIL PIPE | | 1 | |
| 11 | 503 64 47-01 | INLET OIL PIPE | | 1 | |
| 12 | 504 30 00-26 | SEALING | | 1 | |
| 13 | 503 42 67-01 | OIL HOSE | | 1 | |
| 14 | 501 54 41-02 | OIL SCREEN | | 1 | |
| 15 | 503 27 21-01 | E-CLIP | | 1 | |
| 16 | 503 75 24-01 | WASHER | | 1 | |
| 17 | 503 93 24-71 | CLUTCH DRUM | "3/8"x7T" | 1 | |
| 17 | 503 93 24-72 | CLUTCH DRUM | "3/8"x8T" | 1 | |
| 18 | 501 59 80-02 | RIM | "3/8"x7T" | 1 | 17 |
| 18 | 505 30 36-61 | RIM | "3/8"x8T" | 1 | 17 |
| 19 | 503 43 20-01 | NEEDLE HOLDER | | 1 | 17 |
| 20 | 503 74 44-01 | CLUTCH ASSY | | 1 | |
| 21 | 537 36 06-01 | CLUTCH SPRING | | 3 | |
| 22 | 503 86 17-03 | CLUTCH DRUM | "3/8"x7T" | 1 | |
| 23 | 503 43 20-01 | NEEDLE HOLDER | | 1 | |
| 24 | 503 23 00-59 | WASHER | | 1 | |

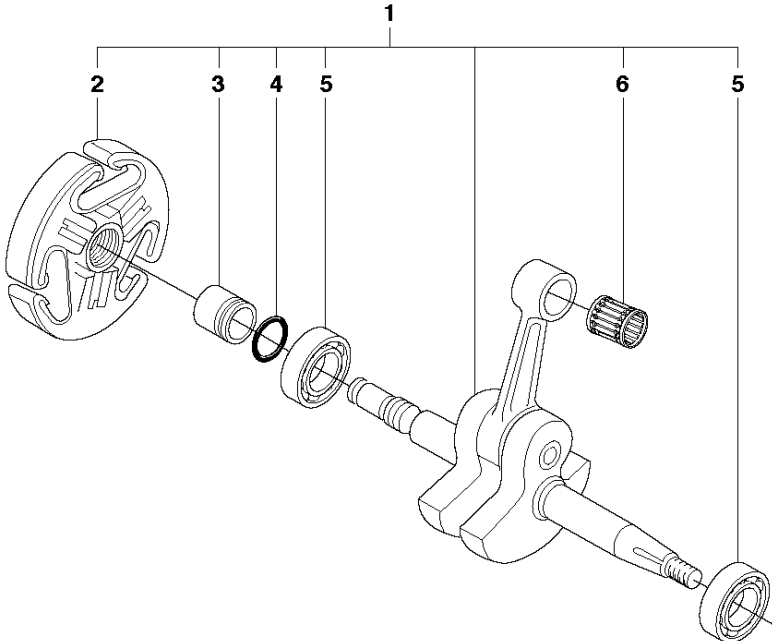


CRANKCASE

365 SPECIAL, 2011-05

| Ref | Part no. | Description | Remark | Qty | Kit |
|-----|--------------|----------------------|--------------------|-----|-----|
| 1 | 503 62 68-08 | CRANKCASE ASSY | | 1 | |
| 2 | 503 96 70-01 | BUSHING | | 1 | 1 |
| 3 | 503 26 03-01 | SEALING RING | | 1 | 1 |
| 4 | 503 75 18-01 | PIN KNEE-JOINT | | 1 | 1 |
| 5 | 501 27 08-01 | GUIDE BUSHING | | 1 | 1 |
| 6 | 501 27 08-01 | GUIDE BUSHING | | 1 | 1 |
| 7 | 537 05 13-01 | BAR BOLT | | 2 | 1 |
| 8 | 503 21 28-10 | SCREW CCRPANT | | 1 | |
| 9 | 537 04 66-01 | KIT | | 1 | |
| 10 | 503 74 93-01 | SCREW | | 1 | |
| 11 | 503 20 02-12 | SCREW IHSCFM | | 4 | |
| 12 | 503 62 73-03 | CARBURETTOR AREA BAS | | 1 | |
| 13 | 503 73 44-01 | GROMMET | | 1 | |
| 14 | 503 62 77-01 | CHOKE CONTROL | | 1 | |
| 15 | 503 67 86-01 | STÖTTA FÖRGASARE | | 1 | |
| 16 | 537 09 54-01 | GROMMET | | 1 | |
| 17 | 725 53 31-65 | SCREW IHSCM | | 2 | |
| 18 | 501 68 68-01 | CHAIN CATCHER | | 1 | |
| 19 | 503 62 72-01 | GASKET CRANKCASE | | 1 | 39 |
| 20 | 503 85 73-01 | COVER | | 1 | |
| 21 | 505 27 57-19 | SEALING RING | | 1 | |
| 22 | 503 62 84-01 | AIR NOZZLE | | 1 | |
| 23 | 503 20 02-12 | SCREW IHSCFM | | 1 | |
| 24 | 503 84 61-01 | BUFFER | | 1 | |
| 25 | 537 21 52-02 | TANK CAP ASSY | | 1 | |
| 26 | 503 57 89-01 | HOLDER | | 1 | 25 |
| 27 | 537 21 50-01 | SEALING | | 1 | 25 |
| 28 | 503 20 08-70 | SCREW IHSCM | | 6 | |
| 29 | 537 40 35-01 | FILTER | | 1 | |
| 30 | 530 02 61-19 | CHECK VALVE | | 1 | |
| 31 | 537 04 29-01 | BUMPER | | 1 | |
| 32 | 503 20 07-80 | SCREW IHSCFM | | 1 | |
| 33 | 537 02 44-01 | WEAR PROTECTION | | 1 | |
| 34 | 537 08 92-01 | CHAIN CATCHER | | 1 | |
| 35 | 503 20 02-16 | SCREW IHSCFM | | 2 | |
| 36 | 537 01 71-01 | BARKSTØD | | 1 | |
| 37 | 503 22 24-01 | LOCKING NUT | | 1 | |
| 38 | 503 64 79-02 | BARKSTØD | | 1 | |
| 39 | 503 64 72-01 | GASKET KIT | A = Set of gaskets | 1 | |
| 40 | 503 21 28-10 | SCREW CCRPANT | | 1 | |
| 41 | 503 92 27-01 | BARKSTØD | | 1 | |
| 42 | 537 01 72-01 | BARKSTØD | | 1 | |

E 365SP
CRANKSHAFT

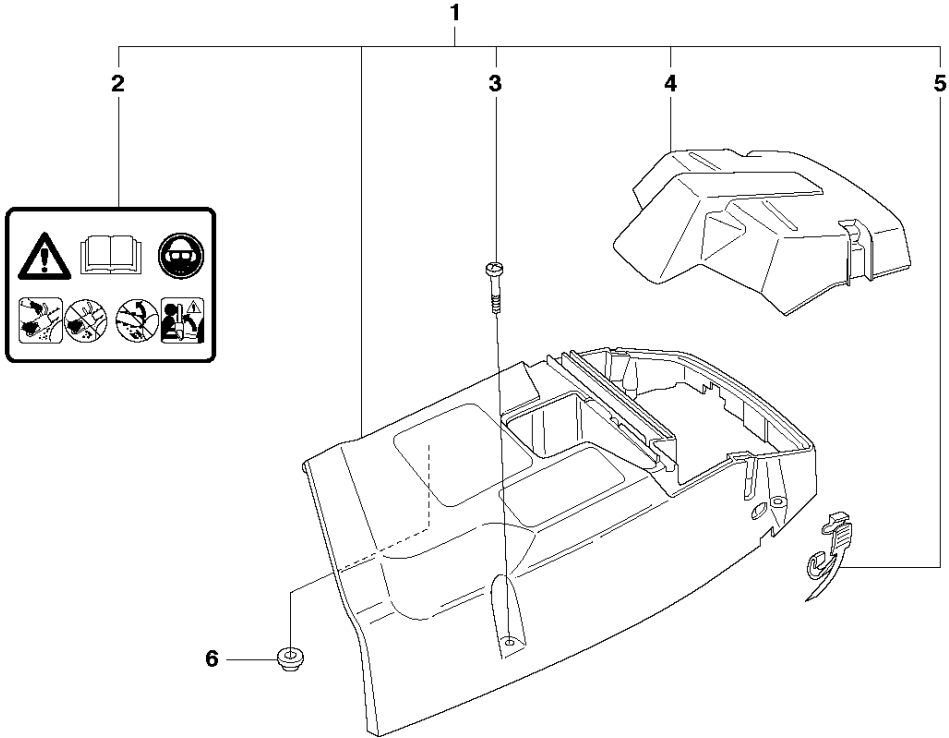


CRANKSHAFT

365 SPECIAL, 2011-05

| Ref | Part no. | Description | Remark | Qty | Kit |
|-----|--------------|-----------------|--------|-----|-----|
| 1 | 503 74 87-03 | CRANKSHAFT ASSY | | 1 | |
| 2 | 503 74 44-01 | CLUTCH ASSY | | 1 | 1 |
| 3 | 503 77 91-01 | SLEEVE | | 1 | 1 |
| 4 | 503 26 30-19 | O-RING | | 1 | 1 |
| 5 | 738 22 02-25 | BALL BEARING | | 2 | 1 |
| 6 | 503 25 56-01 | NEEDLE BEARING | | 1 | 1 |

C 365SP
CYLINDER COVER

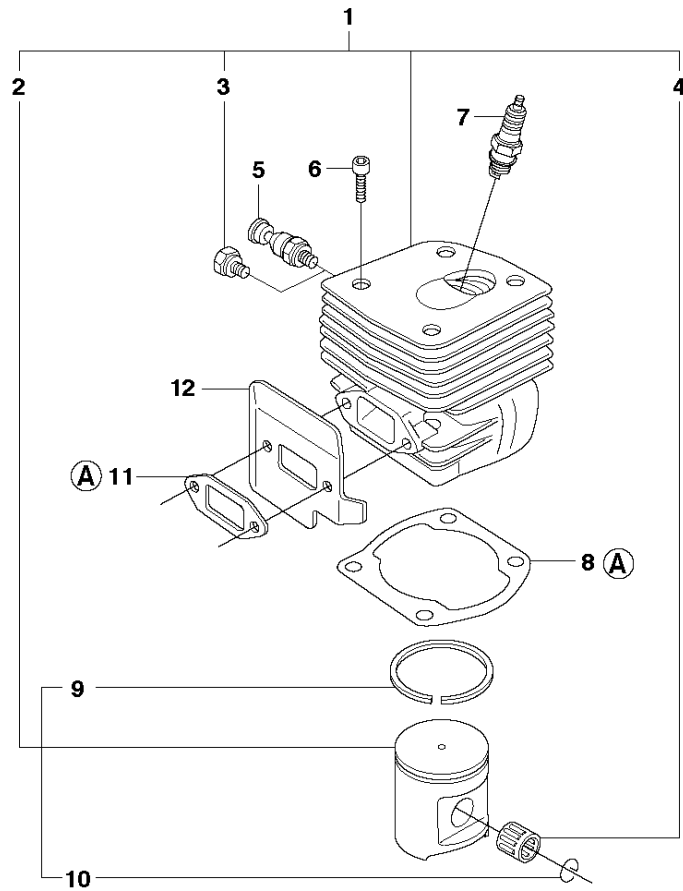


CYLINDER COVER

365 SPECIAL, 2011-05

| Ref | Part no. | Description | Remark | Qty | Kit |
|-----|--------------|---------------------|--------|-----|-----|
| 1 | 503 62 78-07 | CYLINDER COVER ASSY | Std | 1 | |
| 1 | 503 62 78-08 | CYLINDER COVER ASSY | HD | 1 | 1 |
| 2 | 503 98 74-01 | LABEL | | 1 | 1 |
| 3 | 503 20 34-25 | SCREW CRPANMO | | 3 | 1 |
| 4 | 503 62 80-01 | FILTER COVER | Std | 1 | 1 |
| 4 | 503 81 77-01 | FILTER COVER | HD | 1 | 1 |
| 5 | 503 74 01-02 | SNAP | | 2 | 1 |
| 6 | 537 01 65-01 | SUPPORT | | 1 | |

D 365SP
CYLINDER PISTON 



13

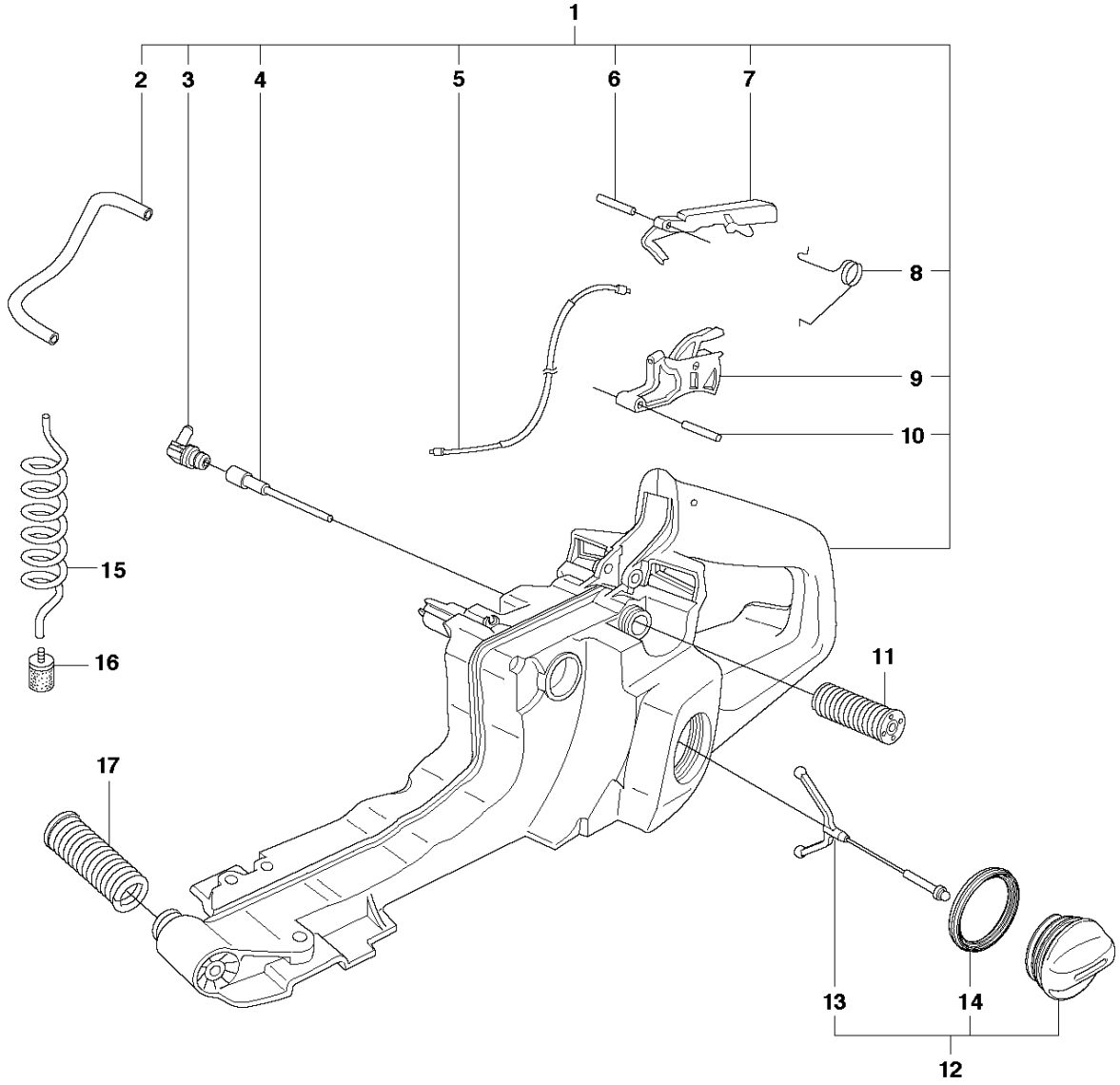
(A) 503 64 72-01
Set of gaskets

CYLINDER PISTON

365 SPECIAL, 2011-05

| Ref | Part no. | Description | Remark | Qty | Kit |
|-----|--------------|---------------------|--------------------|-----|------|
| 1 | 503 93 90-05 | CYLINDER ASSY | EPA, EU, RU | 1 | |
| 2 | 503 69 13-03 | PISTON ASSY | | 1 | 1 |
| 3 | 503 55 22-01 | PLUG | | 1 | 1 |
| 4 | 503 25 56-01 | NEEDLE BEARING | | 1 | 1 |
| 5 | 503 71 53-01 | DECOMPRESSION VALVE | | 1 | |
| 6 | 725 53 33-55 | SCREW IHSCM | | 4 | |
| 7 | 503 23 51-08 | SPARK PLUG | RCJ 7Y | 1 | |
| 8 | 503 96 15-01 | GASKET | | 1 | 13 |
| 9 | 503 28 90-15 | PISTON RING | | 1 | 1, 2 |
| 10 | 737 43 12-00 | SNAP RING | | 2 | 1, 2 |
| 11 | 503 77 59-01 | GASKET MUFFLER | | 1 | 13 |
| 12 | 503 77 58-02 | HEAT DEFLECTOR | | 1 | |
| 13 | 503 64 72-01 | GASKET KIT | A = Set of gaskets | 1 | |

J 365SP
FUEL TANK

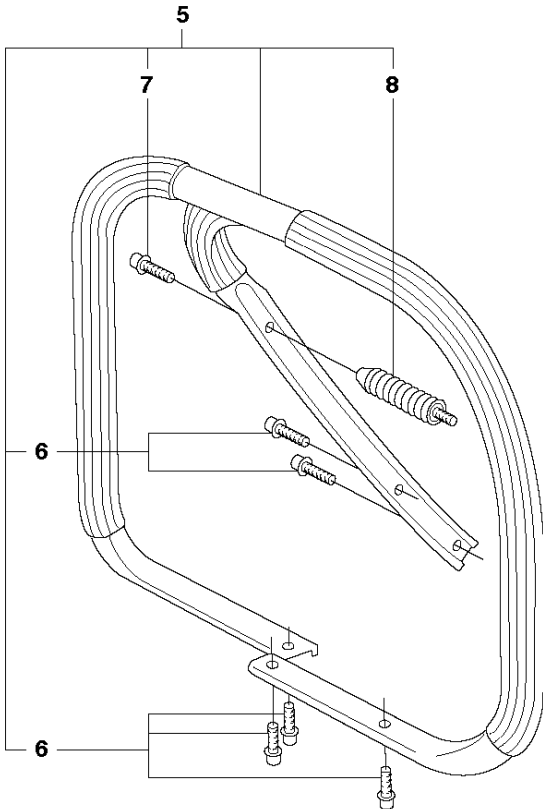
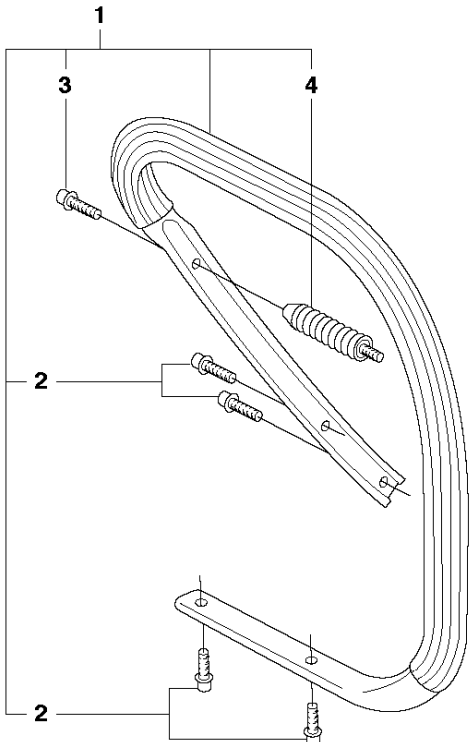


FUEL TANK

365 SPECIAL, 2011-05

| Ref | Part no. | Description | Remark | Qty | Kit |
|-----|--------------|-----------------------|--------|-----|-----|
| 1 | 544 11 40-07 | FUEL TANK | | 1 | |
| 2 | 544 32 49-06 | FUEL HOSE | | 1 | 1 |
| 3 | 537 09 93-01 | CONNECTION BEND | | 1 | 1 |
| 4 | 537 09 22-01 | TANK VENT ASSY | | 1 | 1 |
| 5 | 503 71 76-01 | THROTTLE WIRE ASSY | | 1 | 1 |
| 6 | 720 12 40-20 | PARALLEL PIN | | 1 | 1 |
| 7 | 503 55 66-01 | THROTTLE LOCKOUT | | 1 | 1 |
| 8 | 503 73 64-01 | SPRING | | 1 | 1 |
| 9 | 503 82 98-01 | THROTTLE TRIGGER | | 1 | 1 |
| 10 | 720 12 72-20 | PARALLEL PIN | | 1 | 1 |
| 11 | 503 89 56-01 | ANTIVIBRATION ELEMENT | Std | 1 | |
| 11 | 503 89 56-02 | ANTIVIBRATION ELEMENT | Hard | 1 | |
| 12 | 537 21 52-02 | TANK CAP ASSY | | 1 | |
| 13 | 503 57 89-01 | HOLDER | | 1 | 12 |
| 14 | 537 21 50-01 | SEALING | | 1 | 12 |
| 15 | 544 32 50-02 | FUEL HOSE | | 1 | |
| 16 | 503 44 32-01 | FILTER | | 1 | |
| 17 | 503 63 76-01 | ANTIVIBRATION ELEMENT | Std | 1 | |
| 17 | 503 63 76-02 | ANTIVIBRATION ELEMENT | Hard | 1 | |

K 365SP
HANDLE

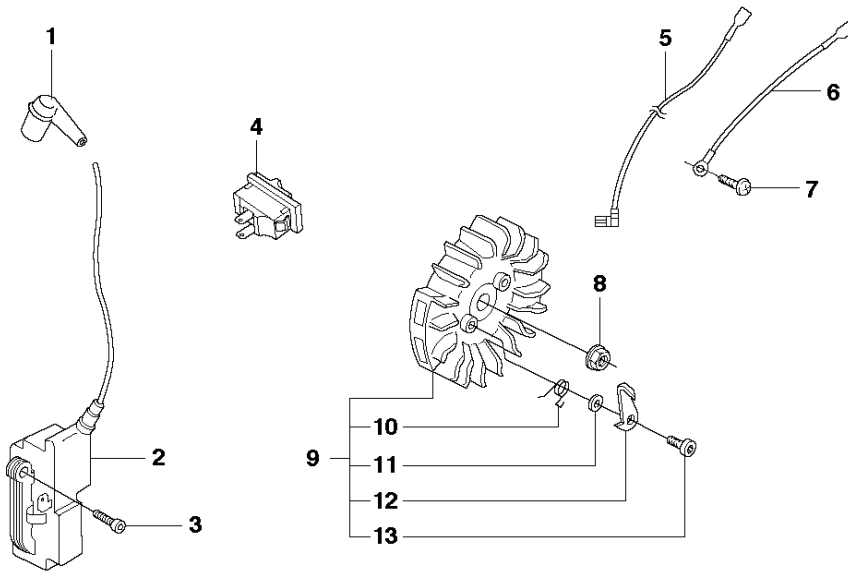


HANDLE

365 SPECIAL, 2011-05

| Ref | Part no. | Description | Remark | Qty | Kit |
|-----|--------------|-------------------------|--------|-----|-----|
| 1 | 503 62 67-71 | FRONT HANDLE ASSY | | 1 | |
| 2 | 503 21 49-16 | SCREW IHSCFT | | 4 | 1 |
| 3 | 503 21 05-22 | SCREW IHSCFT | | 1 | 1 |
| 4 | 503 63 75-02 | ANTIVIBRATION ELEMENT | Std | 1 | 1 |
| 4 | 503 63 75-03 | ANTIVIBRATION ELEMENT | Hard | 1 | |
| 5 | 503 62 86-71 | HANDLE WRAP AROUND ASSY | WRAP | 1 | |
| 6 | 503 21 49-16 | SCREW IHSCFT | | 5 | 5 |
| 7 | 503 21 05-22 | SCREW IHSCFT | | 1 | 5 |
| 8 | 503 63 75-02 | ANTIVIBRATION ELEMENT | | 1 | 5 |

L 365SP
IGNITION SYSTEM

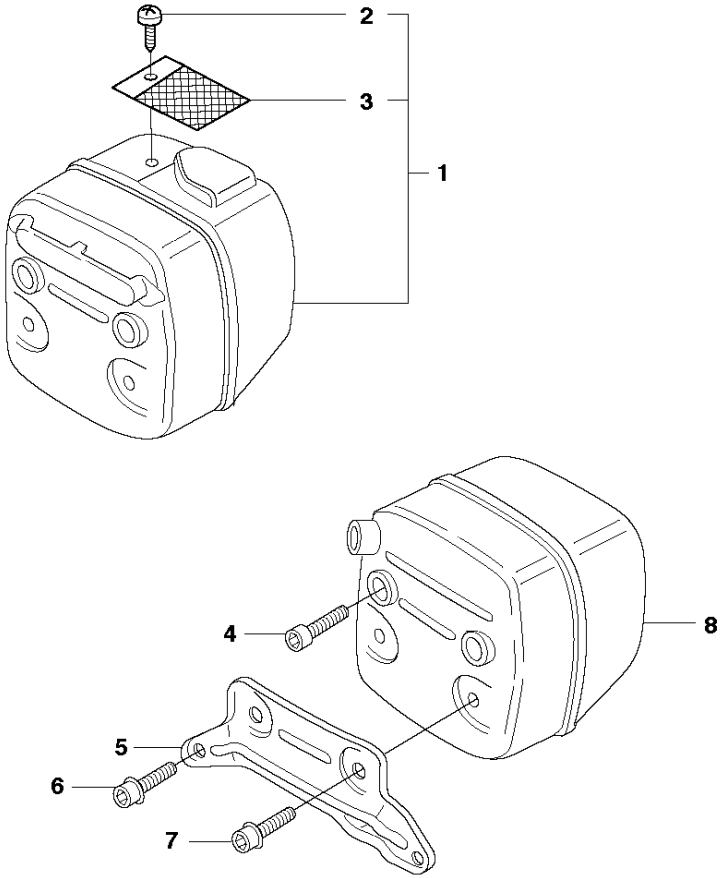


IGNITION SYSTEM

365 SPECIAL, 2011-05

| Ref | Part no. | Description | Remark | Qty | Kit |
|-----|--------------|-----------------|------------------|-----|-----|
| 1 | 501 48 54-02 | SPARK PLUG CAP | | 1 | |
| 2 | 544 04 71-01 | IGNITION MODULE | | 1 | |
| 2 | 510 11 57-01 | IGNITION MODULE | COT, EPA, EU, RU | 1 | |
| 3 | 503 20 02-20 | SCREW IHSCFM | | 2 | |
| 4 | 503 71 82-01 | SWITCH | | 1 | |
| 5 | 503 62 61-01 | CABLE | | 1 | |
| 6 | 503 89 76-01 | CABLE | | 1 | |
| 7 | 503 21 28-10 | SCREW CCRPANT | | 1 | |
| 8 | 503 22 04-01 | NUT | | 1 | |
| 9 | 537 05 16-05 | FLYWHEEL ASSY | | 1 | |
| 10 | 501 67 35-01 | SPRING | | 2 | 9 |
| 11 | 503 23 00-42 | WASHER | | 2 | 9 |
| 12 | 537 01 55-01 | STARTER PAWL | | 2 | 9 |
| 13 | 501 81 99-01 | SCREW | | 2 | 9 |

F 365SP
MUFFLER

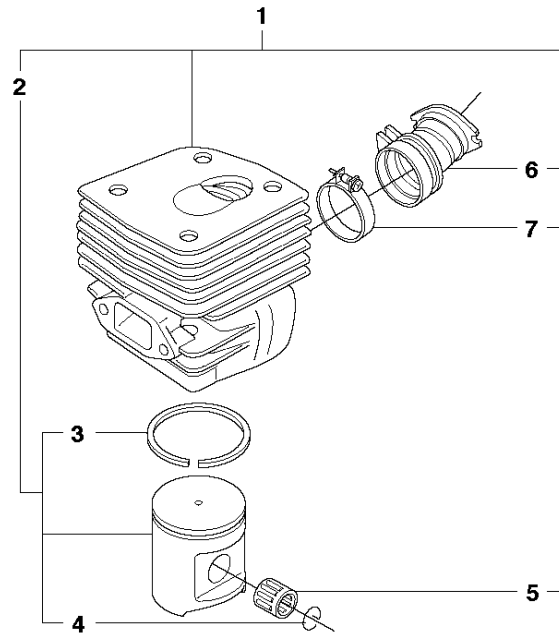


MUFFLER

365 SPECIAL, 2011-05

| Ref | Part no. | Description | Remark | Qty | Kit |
|-----|--------------|-----------------------|--------|-----|-----|
| 1 | 544 02 97-02 | MUFFLER ASSY | DF | 1 | |
| 2 | 724 12 87-59 | SCREW CRPANM | | 1 | 1 |
| 3 | 503 76 64-02 | SPARK ARRESTOR SCREEN | | 1 | 1 |
| 4 | 725 53 70-55 | SCREW IHSCM | | 2 | |
| 5 | 503 76 65-03 | BRACKET | | 1 | |
| 6 | 503 20 07-74 | SCREW IHSCFM | | 2 | |
| 7 | 503 20 07-02 | SCREW IHSCFM | | 2 | |
| 8 | 544 02 95-01 | MUFFLER ASSY | Tube | 1 | |
| 8 | 544 02 95-02 | MUFFLER ASSY | Jungle | 1 | |

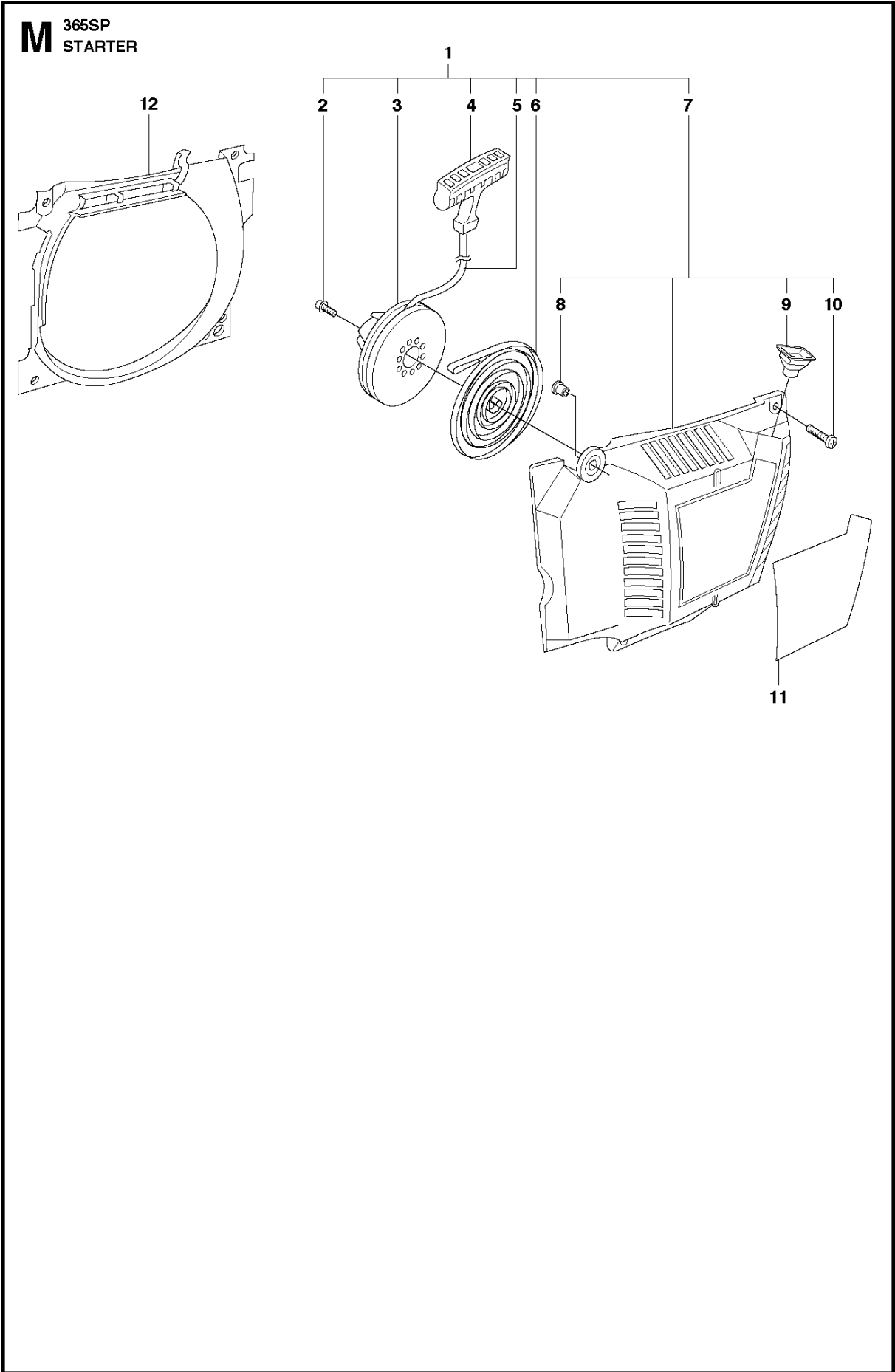
Q 365SP
SERVICE UPDATE **i** For 967 08 24-XX. Up to 20100400017



SERVICE UPDATES

365 SPECIAL, 2011-05

| Ref | Part no. | Description | Remark | Qty | Kit |
|-----|--------------|----------------|--------|-----|------|
| 1 | 503 93 90-03 | CYLINDER ASSY | | 1 | |
| 2 | 503 69 13-03 | PISTON ASSY | | 1 | 1 |
| 3 | 503 28 90-15 | PISTON RING | | 1 | 1, 2 |
| 4 | 737 43 12-00 | SNAP RING | | 2 | 1, 2 |
| 5 | 503 25 56-01 | NEEDLE BEARING | | 1 | 1 |
| 6 | 503 96 45-01 | INLET PIPE | | 1 | 1 |
| 7 | 505 28 33-01 | HOSE CLAMP | | 1 | 1 |



STARTER

365 SPECIAL, 2011-05

| Ref | Part no. | Description | Remark | Qty | Kit |
|-----|--------------|----------------------|--------|-----|------|
| 1 | 503 62 81-71 | STARTER ASSY | | 1 | |
| 2 | 503 21 52-16 | SCREW IHSCFT | | 1 | 1 |
| 3 | 503 85 96-01 | STARTER PULLEY | | 1 | 1 |
| 4 | 503 54 39-01 | STARTER HANDLE | | 1 | 1 |
| 5 | 503 43 29-02 | STARTER CORD | | 1 | 1 |
| 6 | 503 78 72-01 | RECOIL SPRING | | 1 | 1 |
| 7 | 503 62 82-01 | STARTER HOUSING | | 1 | 1 |
| 8 | 537 08 67-01 | BUSHING | | 1 | 1, 7 |
| 9 | 501 63 06-01 | REINFORCEMENT SLEEVE | | 1 | 1, 7 |
| 10 | 544 08 03-01 | SCREW CIHPANMO | | 4 | 1, 7 |
| 11 | 537 23 02-03 | LABEL | | 1 | |
| 12 | 503 62 83-01 | AIR CONDUCTOR | | 1 | |