

# Masport<sup>®</sup>

## CHIPPER SHREDDERS

# 6.0 HP Chipper Shredder

Part Number  
536932

Model  
Chipper Shredder GRN 6.0 IC

Engine  
B & S Intek 205cc 6HP

Date and Year of Manufacture: July 2012

Starting Serial Number - 7635277



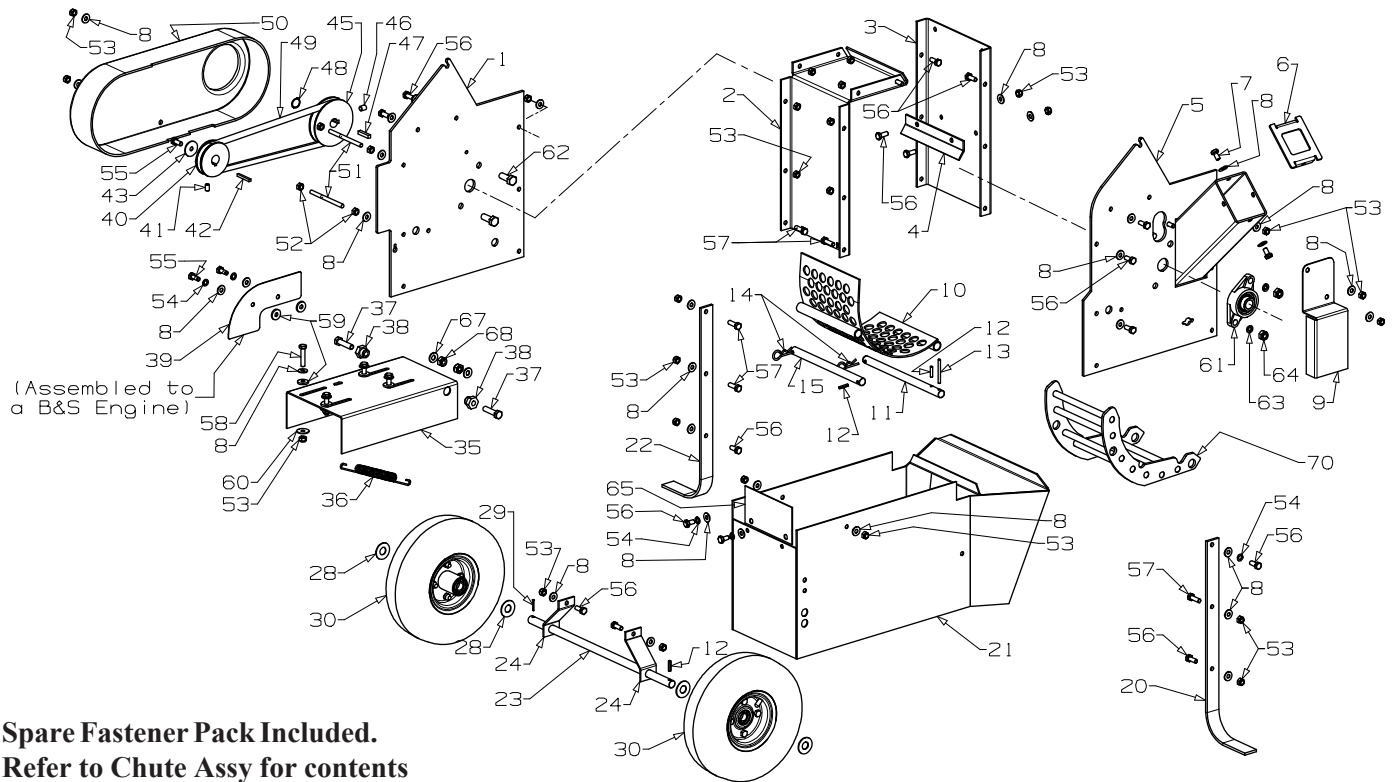
Issue D.0  
ECN 02867  
Feb 2015 PB  
REF 736932S



**Masport 6.0**  
Powered By: B & S 205

# Masport®

Issue D.0  
ECN 02867  
Feb 2015 PB  
REF 736932S

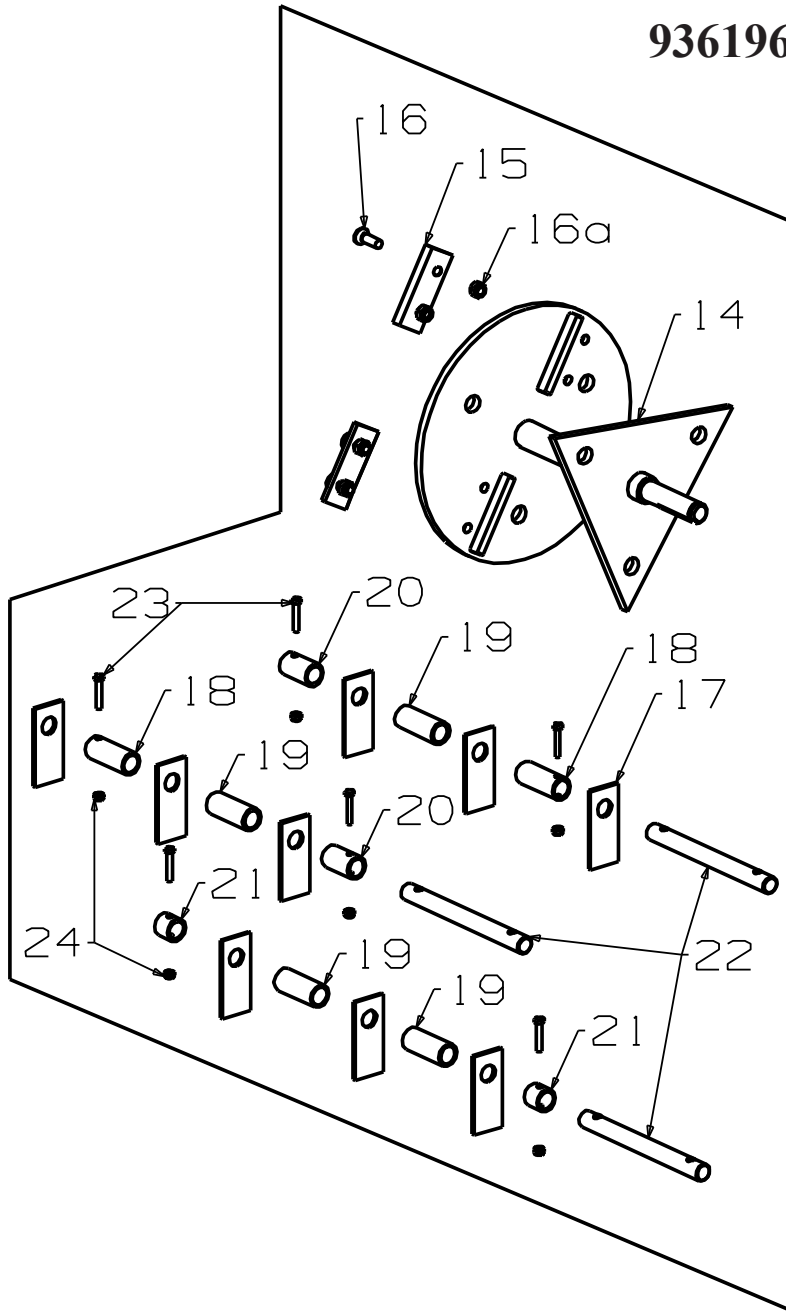


**Spare Fastener Pack Included.**  
**Refer to Chute Assy for contents**

Item No	Part No	Description	Qty	Item No	Part No	Description	Qty
1	936003	Plate- Side, LH Green	1	42	536012	Key-Engine 3/16"x38mm	1
2	936556	Plate Assy- Rear, Green	1	43	572199	Washer, Flat 8 x 32 x 2.0	1
3	936018	Plate- Front, Green	1	45	936227	Pulley- Rotor, 3.5"	1
4	536021	Plate-Stop, Shredder	1	46	503734	Screw, Grub UNC 3/8" x .5	1
5	936378	Plate Assy-Side, RH Green C/S	1	47	536064	Key- Engine 1/4" SQ x 32	1
6	536375	Restrictor-Infeed Tube Black	1	48	503680	Circlip, 19 External	1
7	501571	Screw, Set M8 x 16 8.8 Hex Black	2	49	536342	Belt- V, A889	1
8	501606	Washer, Flat 8 x 19 x 1.6	33	50	536015	Cover-Belt	1
9	936117	Plate- Cover, Mntnace/Brg Green	1	51	536024	Stud- M8 x 100, Belt Cover	2
10	536371	Plate Assy, Shredder	1	52	501602	Nut, M8 Hex	4
11	936016	Rod-Shredder Plate, Front	1	53	501793	Nut, M8 Nyloc x 8mm thick	27
12	503369	Pin, Tension 5.0 x 22	3	54	503747	Washer Spg, 8	3
13	031290	Pin, Tension 5.0 x 50	1	55	501116	Screw, Set NF 5/16 x .75 Hex	3
14	536028	Clip-Hairpin, 3mm	2	56	501597	Screw, Set M8 x 20 Hex	16
15	936017	Rod- Shredder Plate, Rear	1	57	501598	Screw, Set M8 x 25	5
20	936079	Leg- Front, RH Euro Grn	1	58	501843	Screw, Set M8 x 40 Hex	4
21	936073	Chute- Discharge, Euro Green	1	59	503872	Washer, Flat 8 x 20 x 3.0	6
22	936078	Leg- Front, LH Euro Green	1	60	503746	Washer, Flat 8 x 25 x 1.6	4
23	936230	Axle- Rear, Euro	1	61	503751	<b>Bearing-Complete,Incl</b>	2
24	936080	Support-Axle, Euro Green	2			Bearing, SKF YAR 204-012-2RF	
28	502017	Washer, Flat 16 x 32 x 1.6	4	62	503728	Bolt, Hex M12 x 30 Special	4
29	500029	Pin, Cotter 4.0 dia x 25	1	63	501759	Washer, Spring 12mm	4
30	536228	Wheel Assy- 10" BL Pneu	2	64	501756	Nut, M12 Hex	4
35	536034	Plate- Mount, Engine Green	1	65	936554	Plate-Safety, Discharge Green	1
36	536008	Spring- Belt Tensioner	1	67	501704	Washer, Flat 10 x 19 x 1.6	2
37	503731	Bolt, Hex Special M10 x 40	2	68	501680	Nut, M10 Hex Nyloc x 10mm thick	2
38	936035	Bush- Pivot, Engine	2	70	929304	Bar Grate Screen- XLS Assy	1
39	536324	Plate-Safety,Engine Black	1				
40	536011	Pulley- Engine, 19Bx73Dx34H	1				
41	503970	Screw, Grub UNC 5/16" x .5	1				



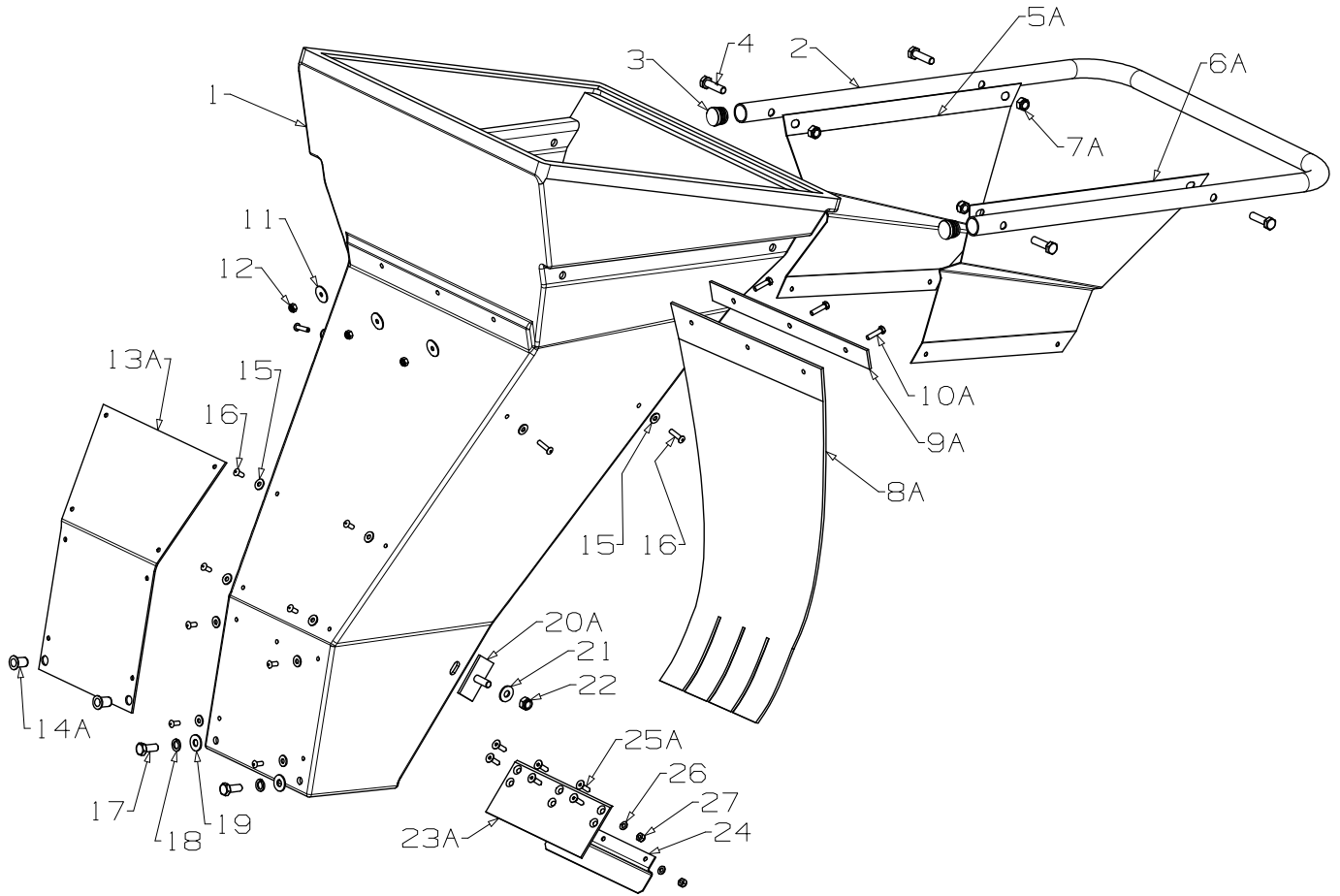
## ROTOR ASSEMBLY 936196 (items 14 - 24)



Item No	Part No	Description	Qty	OPTIONAL ACCESSORIES (If not included)	
14	536195	Rotor Assy- Belt Drive, Twin	1	70	929304 Bar Grate Screen Assy 1
15	536027	Blade-Chipper - 75mm	2	<b>NOT ILLUSTRATED</b>	
16	599501	Screw, CSK M8 x 25	4		
16a	501793	Nut, M8 Hex Nylocx 8 thck	4	536388	Owner's Manual 1
17	536030	Blade- Flail, Shredder	9	536203	Decal, Twin Blades 1
18	536044	Spacer- Blade, 21.3 x 51 Drilled	2		
19	536045	Spacer-Blade, 21.3 x 51- Plain	4		
20	536042	Spacer-Blade, 21.3 x 36- Drilled	2		
21	536043	Spacer-Blade, 21.3 x 18- Drilled	2		
22	536029	Rod Assy- Shredder	3		
23	503678	Bolt, M5 x 28 8.8 HEX	6		
24	503511	Nut, Nyloc M5	6		



## 536940 CHUTE ASSY SHREDDER MASPORT



Items with # A are assembled inside the Chute

**Fastener Pack Included Containing  
Items: 17, 18, 19, 20A, 21, 22**

Item No	Part No	Description	Qty	Item No	Part No	Description	Qty
1	536058	Chute- Shredder, Euro Black	1	15	500848	Washer, Flt 3/16 x .5 x .039	12
2	936285	Handle- Chute, Blk	1	16	503660	Rivet-Pop, 4.8 Dia x 9.0	12
3	503319	Plug- 22mm, Plastic	2	17	501598	Screw, Set M8 x 25 Hex	2
4	501716	Screw, Set M8 x 35 Hex	4	18	503747	Washer, Spg 8	2
5 A	536386	Plate Restrictor Infeed RH	1	19	501606	Washer, Flt 8 x 19 x 1.6	2
6 A	536387	Plate Restrictor Infeed LH	1	20 A	536065	Retainer-Chute	2
7 A	501793	Nut, M8 Hex Nyloc	4	21	501606	Washer, Flt 8 x 19 x 1.6	2
8 A	536376	Flap- Chute, Rubber	1	22	501793	Nut, M8 Hex Nyloc	2
9 A	536377	Plate- Kickback, Black	1	23 A	536315	Plate- Protector, Back	1
10 A	503727	Screw, Set M5 x 20 Hex	3	24	536316	Bracket- Protector, Back	1
11	503512	Washer, Flat 5 x 22 x 1.5	3	25 A	503983	Screw, CSK M5 x 16 Allen	6
12	503511	Nut, M5 Hex Nyloc	3	26	501330	Washer, Flt 5 x 10 x 1.0	6
13 A	536061	Plate-Protector, Front	1	27	503511	Nut, M5 Hex Nyloc	6
14 A	503682	Nut, M8 Nutsert	2				