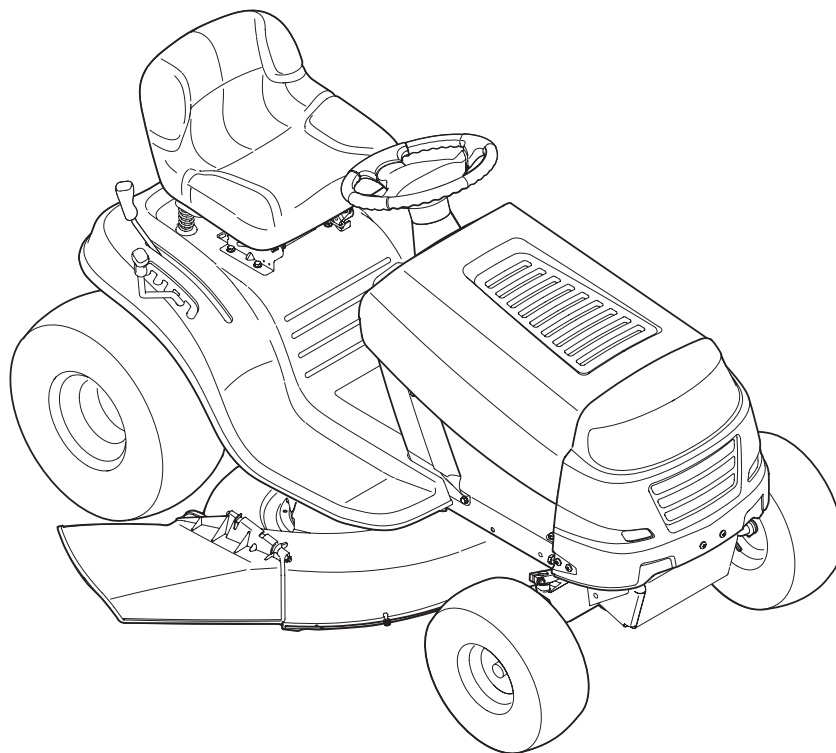




ILLUSTRATED PARTS MANUAL



Transmatic Lawn Tractor — Pony

TROY-BILT LLC, P.O. BOX 361131 CLEVELAND, OHIO 44136-0019

To The Owner

Thank You

Thank you for purchasing an MTD Lawn Tractor. It was carefully engineered to provide excellent performance when properly operated and maintained.

All information in this manual is relative to the most recent product information available at the time of printing. Please be aware that this Illustrated Part's Manual may cover a range of product specifications for various models.

Components listed and/or illustrated in this manual may not be applicable to all models. We reserve the right to change product specifications, designs and equipment without notice and without incurring obligation.

Throughout this manual, all references to *right* (RH) and *left* (LH) are observed from the operating position.

Table of Contents

<u>K Style Hood.....</u>	<u>4</u>	<u>Transmission.....</u>	<u>12</u>
<u>Frame and PTO Lift</u>	<u>6</u>	<u>42" Deck</u>	<u>14</u>
<u>Front End Steering.....</u>	<u>8</u>	<u>B&S Model 28.....</u>	<u>16</u>
<u>Seat and Fender</u>	<u>10</u>	<u>Wiring Harness Schematic</u>	<u>17</u>

Record Product Information

To ease in ordering replacement parts, please locate the model plate on the equipment and record the information in the provided area to the right. You can locate the model plate by looking beneath the seat.

MODEL NUMBER

--	--	--	--	--	--	--	--	--	--	--

SERIAL NUMBER

--	--	--	--	--	--	--	--	--	--	--

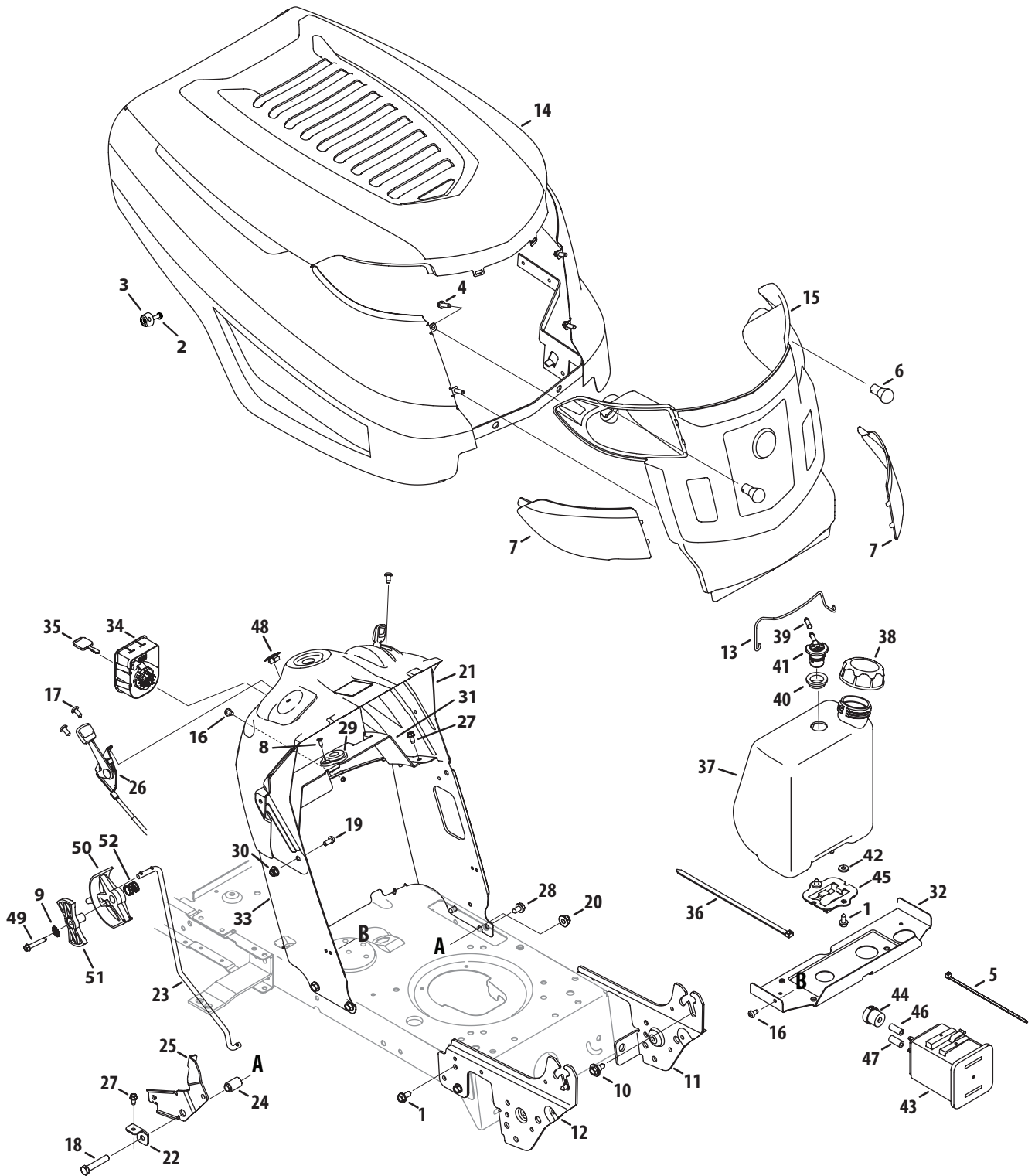
Painted Parts

When ordering painted service parts, a four digit color suffix must be added to the part number (e.g. 783-XXXXX-0637). Please refer to the table below for current color codes:

0637	Black	0674	Yellow (Yard-Man)
0709	Dark Green (Bolens, Yard-Man)	0650	Metallic Red (White Outdoor)
0662	Oyster Gray (MTD Gold)	0629	Silver Flake (MTD Platinum)
0638	Red (Yard Machines, Huskee, Troy-Bilt, MTD)	04038	Day Orange (Daedong)
0691	Black Jack (MTD Gold, MasterCut)	04033	Flint Mica (Troy-Bilt XP)

This page intentionally left blank.

K Style Hood

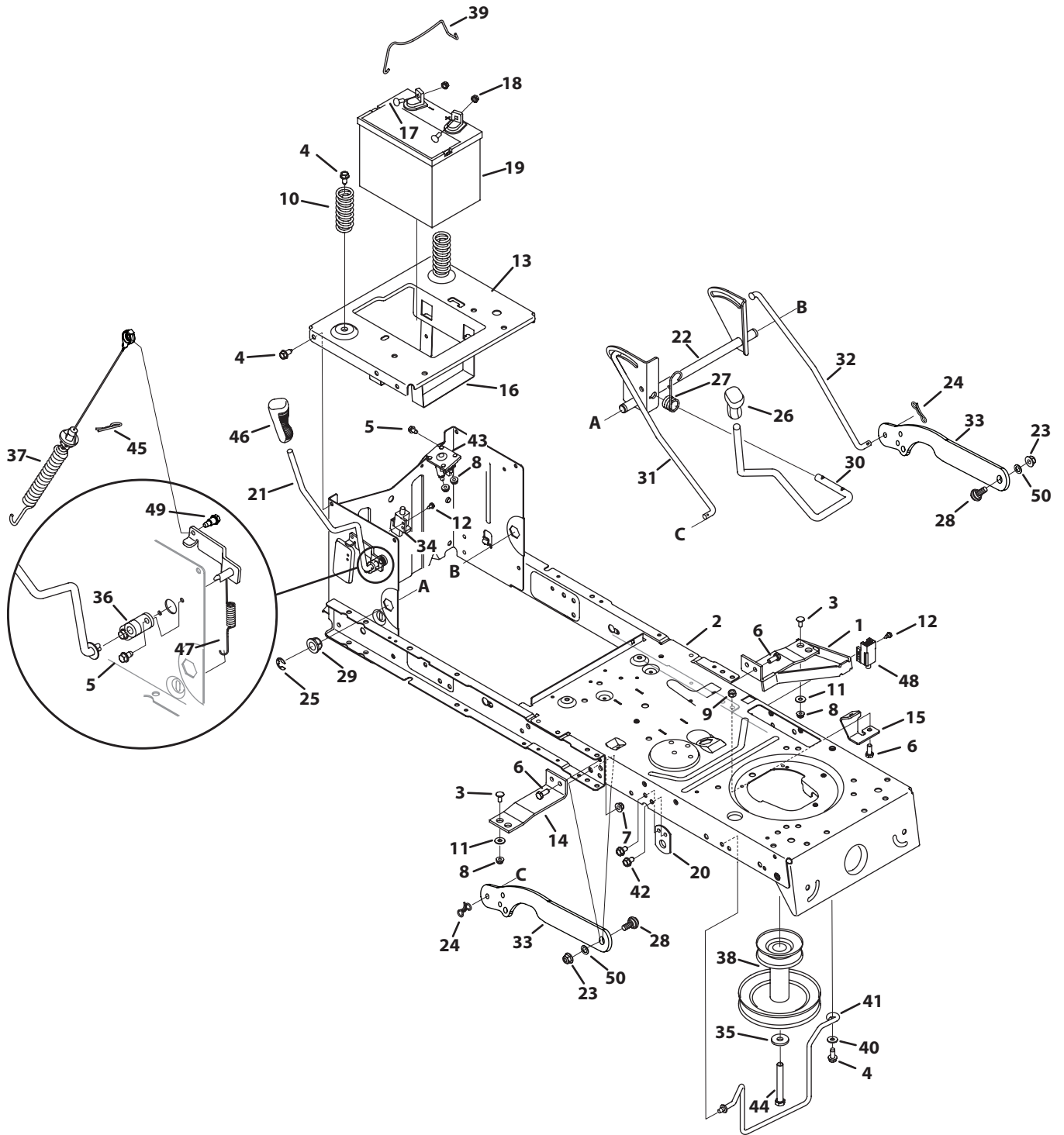


K Style Hood

Ref. No.	Part No.	Description	Ref. No.	Part No.	Description
1	710-04484	Screw 5/16-18 x .750	28	710-0604A	Screw 5/16-18 x .625
2	710-05281	Screw, #12-16 x 1.25	29	741-0587	Bearing, .628 ID x 1.36
3	731-06404	K-Style Bumper	30	712-04063	Flange lock Nut 5/16-18
4	710-05108	Screw, 1/4 x .750	31	783-06785A	Bracket, Steering Support
5	725-0157	Cable Tie	32	783-07083	Gas Tank Support Bracket
6	925-0963	Miniature lamp 12V socket	33	783-06811B	Dash, Lower NWNDW
7	731-06095	Grill Lens - LH	34	925-04659	Key Switch Module
	731-06096	Grill Lens - RH	35	625-05002	Key, Assembly
8	910-0224	Screw, #10-16 x .500	36	726-0230	Cable Tie
9	736-3006	Lock Washer, 1/4	37	951-04304	Fuel Tank, 1.36 Gallon
10	738-04091A	Shoulder Screw .43 x .29	38	951-12179B	Fuel Cap
11	783-05327B	Support Bracket LH		951-12426A	Fuel Cap, CARB
12	783-05328A	Support Bracket RH	39	751-12089-28	Hose Vent, 3/16
13	683-04448	Battery Rod	40	735-04081	Rubber Grommet
14	683-04441A	Hood	41	751-12118	Rollover Valve
15	631-04272	Grill	42	936-3008††	Washer, Flat, .344 x .750 x .120
16	710-05070	Screw, 1/4-20 x .500	43	951-10589††	Canister, Carbon, 5 Gallon
17	710-04483	Screw 1/4-20 x .500	44	951-10590††	Filter, Vent, Canister
18	710-3144	Hex Screw 3/8-16 x 2.00	45	951-10610††	Bracket., Adapter, Canister
19	710-3025	Hex Screw, 5/16-18 x .625	46	751-10749-14††	Hose, Fuel, Low Perm., White
20	712-04065	Flange Lock Nut 3/8-16	47	751-10750-28††	Hose, Fuel, Low Perm., Yellow
21	931-08054A	Dash, Upper	48	731-05265	Choke Plug
22	783-06823	Speed Latch Tab	49	710-0778	Hex Washer Screw, 1/4-20 x 1.50
23	747-05398	Speed Control Rod	50	731-07885B	Shift Lever
24	750-04465C	Flange Spacer .39 x .671 x 1.095	51	731-07895A	Index Control
25	783-06991	Transmission Speed Latch	52	732-04877	Compr. Spring, .72 OD x .78
26	746-04367	Throttle/Choke Control Cable	—	925-04567G	Harness, LT-5, NRMC, Dual
27	710-1652	Tap Screw, 1/4-20, 0.625			

†† Equipped with CARB Fuel Tank

Frame and PTO Lift

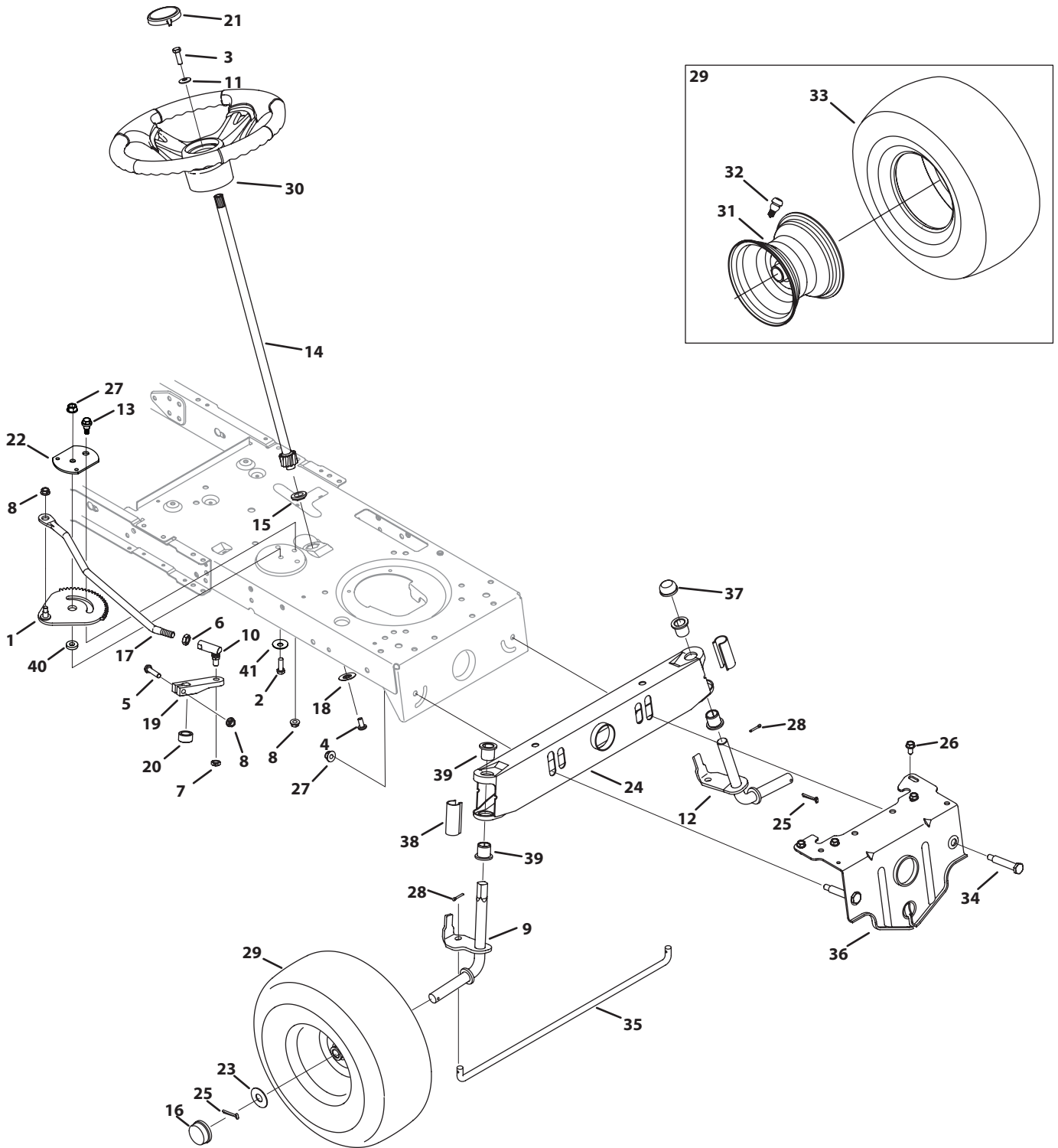


Frame and PTO Lift

Ref.	Part Number	Description
1	683-04195	Support Bracket
2	683-05139	Frame Assembly
3	710-0703	Screw Carriage, 1/4-20 x .75
4	710-04484	Screw 5/16-18 x .750
5	710-0599	Screw, 1/4-20 x .500
6	710-3008	Hex Screw, 5/16-18 x .75
7	712-04063	Flangelock Nut, 5/16-18
8	712-04064	Flangelock Nut, 1/4-20
9	912-0429	Hexlock Nut, 5/16-18
10	732-0735A	Compression Spacer, 1.314 x 2.55
11	736-0173	Flat Washer, .28 x .74 x .063
12	738-04237A	Shoulder Spacer, 10-32 x .500
13	783-04548D	Seat Frame Bracket
14	783-04637	Running Board Bracket
15	783-04753	Support Frame Bracket
16	783-04869A	Battery Bracket
17	710-04666	Hex Head Flange, 1/4-20 x .75
18	712-0271	Sems Nut, 1/4-20
19	925-1707D	230 CCA Battery
20	783-04536B	Support Bracket
21	647-05041	PTO Handle Assembly
22	683-04334	Lift Assembly
23	712-04065	Flangelock Nut, 3/8-16
24	714-04040	Bow-tie Cotter Pin
25	716-0106A	E Ring

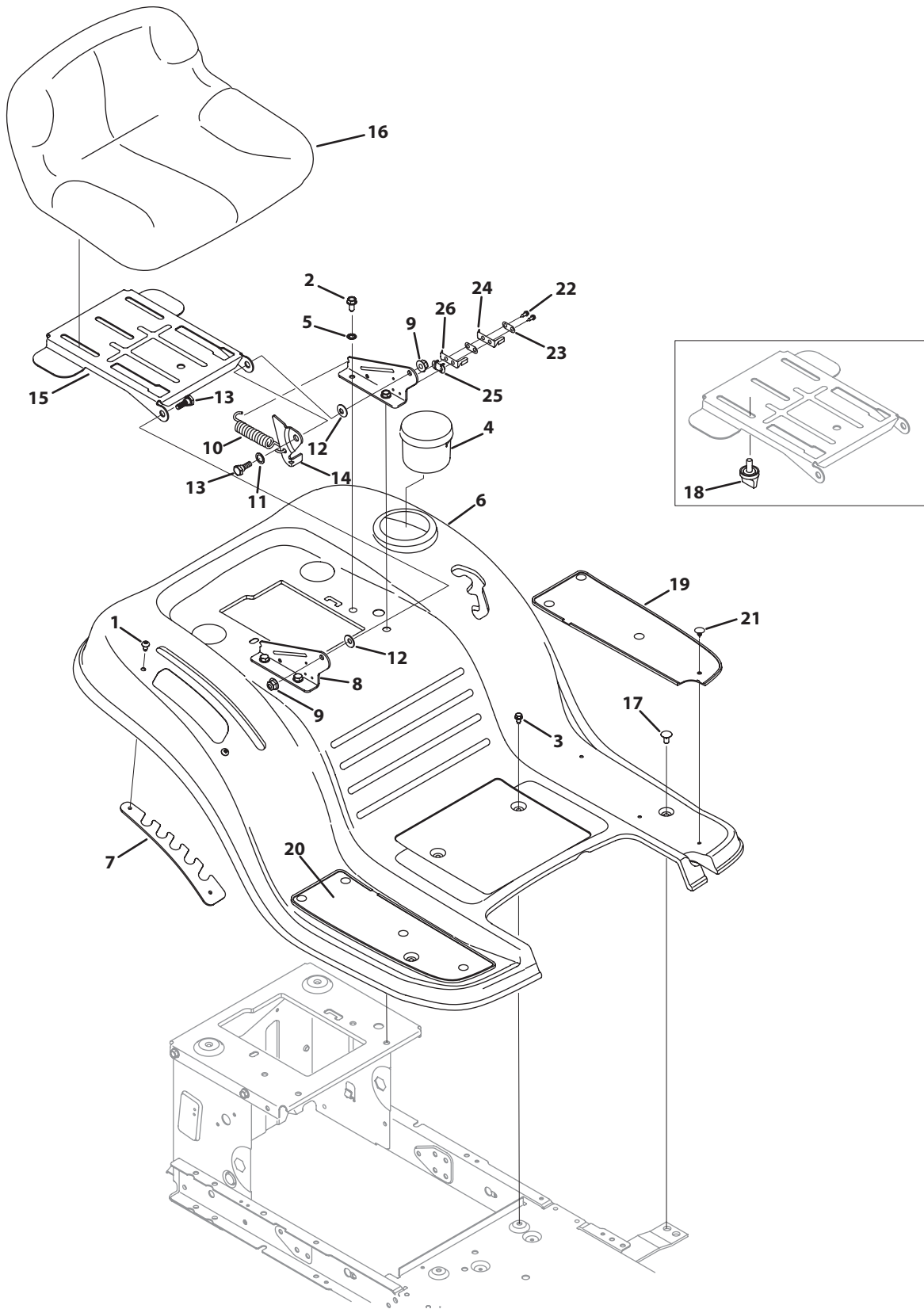
Ref.	Part Number	Description
26	720-0298	Handle Grip, 5/8
27	732-04438	Torsion Spring
28	938-0380	Shoulder Bolt, 3/8-16 x .50 x .270
29	941-0225	Hex Flange Bearing
30	747-04653A	Deck Lift Handle
31	747-06237	Lift Rod, RH
32	747-06253	Lift Rod, LH
33	783-0678C	Lift Arm
34	725-04363	Switch Interlock
35	736-0322	Flat Washer, .450 x 1.250 x .164
36	741-04119A	PTO Bearing
37	946-05124	Deck Engage Cable
38	756-04196A	Engine Pulley, 3.39 x 6.12
39	683-04448	Battery Hold Down Rod
40	936-0300	Flat Washer, .406 x .875 x .059
41	747-04857	42" Belt Keeper
42	710-0604A	Screw, 5/16-18.0 x .625
43	725-06153	12V Solenoid
44	710-3157A	Hex Screw, 7/16-20 x 3.25
45	914-0145	Click Pin, .092 x 1.64
46	720-04049A	Handle Grip, 3/8
47	732-04276A	PTO Spring Extension
48	925-04039	Screw Mount Interlock Switch
49	738-04425	Shoulder Bolt, 1/4-28 x .342 x .335
50	936-0140	Flat Washer, .385 x .62 x .063

Front End Steering



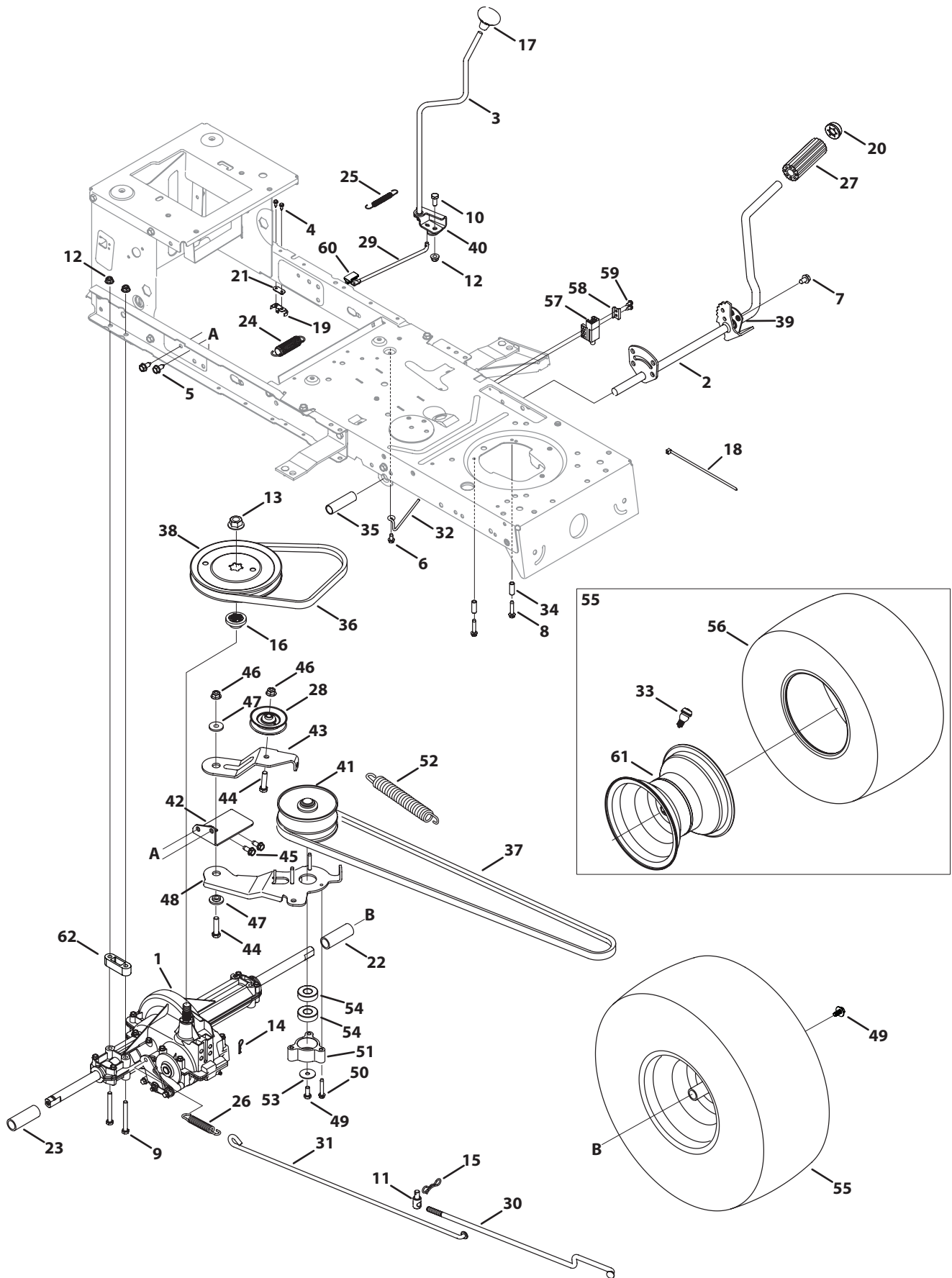
Ref.	Part Number	Description
1	617-04094	Front Steering Gear Assembly
2	710-0514	Hex Screw, 3/8-16 x 1.00
3	710-0643	Hex Screw, 5/16-18 x 1.00, Lock
4	710-1309	Machine Screw, 5/16-18 x .750
5	710-3180	Hex Screw, 5/16-18 x 1.75
6	912-0240	Jam Nut, 7/16-20
7	912-0214	Jamlock Nut, 3/8-24
8	712-04063	Flangelock Nut, 5/16-18
9	938-04013	Front RH Axle
10	923-0448A	Ball Joint, 7/16-20
11	736-0242	Bell Washer, .340 x .872 x .060
12	938-04014A	Front LH Axle
13	738-04141	Shoulder Bolt, 5/16-18 x .435 x .350
14	938-05078	Steering Shaft, 5/8
15	941-04124	Flange Bearing, 5/8
16	931-0484A	Hub Cap
17	747-05385	Steering Link
18	948-0389	Cap, 1.25 x .16
19	748-04278	Steering Block
20	748-04068	Spacer, .71 x .125 x .56
21	731-04681	Cap, Troy-Bilt
22	783-08577	Stabilizer Plate
23	736-04228A	Flat Washer, .781 x 1.590
24	683-0128B	Pivot Axle
25	714-04039A	Cotter Pin, 5/32 x 1.25
26	710-04484	Screw, 5/16-18 x .750
27	912-0431	Flangelock Nut, 3/8-16
28	914-0474	Cotter Pin, .125 x .75
29	634-05053-0911	Wheel Assembly
30	631-04028	Steering Wheel
31	634-05066	Rim Asm, 6.0 x 4.5
32	934-0255	Valve, tubeless Air
33	734-04240A-0901	Tire, 15 X 6 X 6 Rd Shldr
34	738-04128	Shoulder Bolt, 3/8-16 x .500 x 2.38
35	747-04299A	Fixed Rod
36	783-05326B	Pivot Bar Bracket
37	726-0341	Push Cap, 3/4
38	731-04057A	Standard Axle Cap
39	741-0660A	Flange Bearing, .760 x .941 x 1.0
40	750-06192	Spacer, .38 ID x .854 OD x .20
41	736-0331	Bell Washer, .390 x 1.13 x .062

Seat and Fender



Ref.	Part Number	Description
1	710-05070	Screw, 1/4-20 x .500
2	710-04484	Screw, 5/16-18 x .750
3	710-0599	Screw Pan Torx Head, 1/4-20 x .500
4	731-04591A	Cup Holder
5	736-0607	Loack Washer, 5/16
6	783-04587D	Fender
7	783-04843	Lift Adjuster Bracket
8	783-1489D	Seat Mount Bracket
9	712-04063	Flangelock Nut, 5/16-18
10	732-1184	Extension Spring
11	936-0108	Flat Washer, .510x .750 x .033
12	736-0242	Bell Washer, .340 x .872 x .060
13	938-0296	Shoulder Screw, 5/16-18 x .437 x .268
14	783-0209D	Lift Seat Bracket
15	783-04081D	Pivot Seat Manual Adjust Bracket
16	757-04099	Low Back Seat, Black
17	710-0134	Screw Carriage, 1/4-20 x .62
18	720-04061	Knob, 3/8-16 x .875
19	723-04026	Foot Pad, Abrasive, LH
20	723-04025	Foot Pad, Abrasive, RH
21	726-3046	Ratchet Clip, .250 x .500
22	710-0227	Screw, 8-18 x .500
23	726-0279	Insulator Plate
24	925-1303	Outer Seat SPring
25	726-0278	Insulator Boss Plate
26	725-1439	Inner Seat Spring

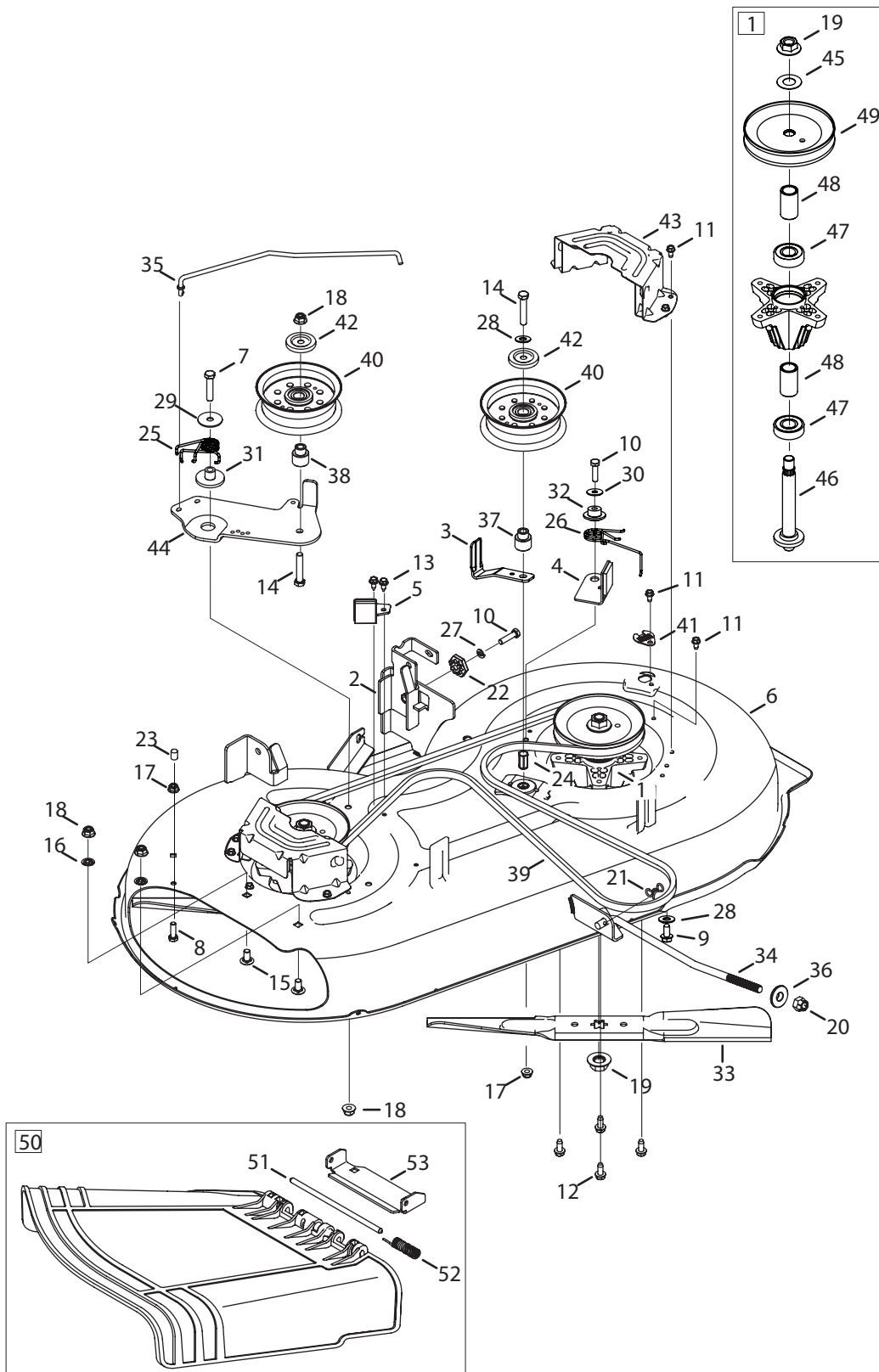
Transmission



Transmission

Ref.	Part Number	Description	Ref.	Part Number	Description
1	918-04566	Transmission Drive Assembly	32	747-04969	Belt Keeper Rod
2	647-04034C	Pedal Assembly	33	934-0255	Valve, tubeless Air
3	647-04266	Shaft Lever Assembly	34	750-0566A	Spacer, .260 x .375 x 1.030 LG
4	710-0227	Screw, 8-18:0.500	35	750-0802	Spacer, .640 ID x .76 OD x 2.63
5	710-04484	Screw, 5/16-18 x .750	36	954-05040	V Belt, 5L 35.25 POLY
6	710-0599	Screw, 1/4-20 x 0.500	37	954-04249A	V Belt, 5L 70.90 POLY
7	710-0604A	Screw, 5/16-18 x 0.625	38	956-04002	V Pulley 7.25 DIA SPUN
8	710-0809	Screw, 1/4-20 x 1.250	39	783-04536B	Pedal Support Bracket
9	710-1266	Hex Screw, 5/16-18 x 3.50	40	783-04595A	Shaft Adjust Bracket
10	710-3008	Hex Screw, 5/16-18 x .75	41	956-04015A	Variable Speed Pulley Assembly
11	711-06103	Ferrule, 3/8-24 X .375 DIA.	42	683-04176A	Transmission Bracket Assembly
12	712-04063	Flangelock Nut, 5/16-18	43	753-05147	Idler Bracket Assembly
13	712-0700	Flange Nut, 9/16-18	44	710-0347	Hex Screw, 3/8-16 x 1.75
14	914-0209	Cotter Pin INT- .125 DIA	45	710-1260A	Screw, 5/16-18 x 0.750
15	714-04040	Bow-Tie Cotter Pin, 72	46	712-04065	Flangelock Nut, 3/8-16
16	718-04407	Pulley Hub, 5/8 SPLINE	47	938-0347	Shoulder Spacer, .625 ID x .169
17	720-04028	Shift Knob	48	753-05147	Bracket Assembly
18	725-0157	Cable Tie	49	710-05339	Screw, 5/16-24 x .750
19	725-1644	Short Spring Switch	50	710-0778	Screw, 1/4-20 x 1.500
20	726-0214	Push Cap, 5/8	51	718-04261	Bearing Cup
21	926-0320	Plate Insulator Nut	52	732-04746	Extension Spring, .94 OD x 6.75 LG
22	731-04602	Sleeve, .758 x .821 x 3.3125	53	736-0362	Flat Washer, .330 x 1.25 x .06:HT
23	731-04604	Sleeve, .758 x .821 x 2.4375	54	941-0600	Ball Bearing, 17 x 40 x 12
24	732-04306	Spring Extension, .80 OD x 3.28 LG	55	634-04324-0911	Wheel, 20 x 8 x 8
25	732-04488	Spring Extension, .38 OD x 3.25 LG	56	734-04241-0901	Tire, 20 X 8 X 8 Rd Shldr
26	732-0716D	Spring Extension, .59 OD x 4.00 LG	57	725-04363	Switch Interlock
27	735-0239	Foot Pad, 4.0 LONG	58	17962	Plate Switch
28	756-04325	Idler Pulley	59	738-04237A	Shoulder Screw, #10-32 x .500
29	747-05243	Shift Rod	60	731-06894	Shift Plate Bearing
30	747-05186	Variable Speed Control Rod	61	634-04369-0662	Rim, 8.0 x 7.0 x .750
31	747-05188	Brake Rod	62	948-0334	Spacer

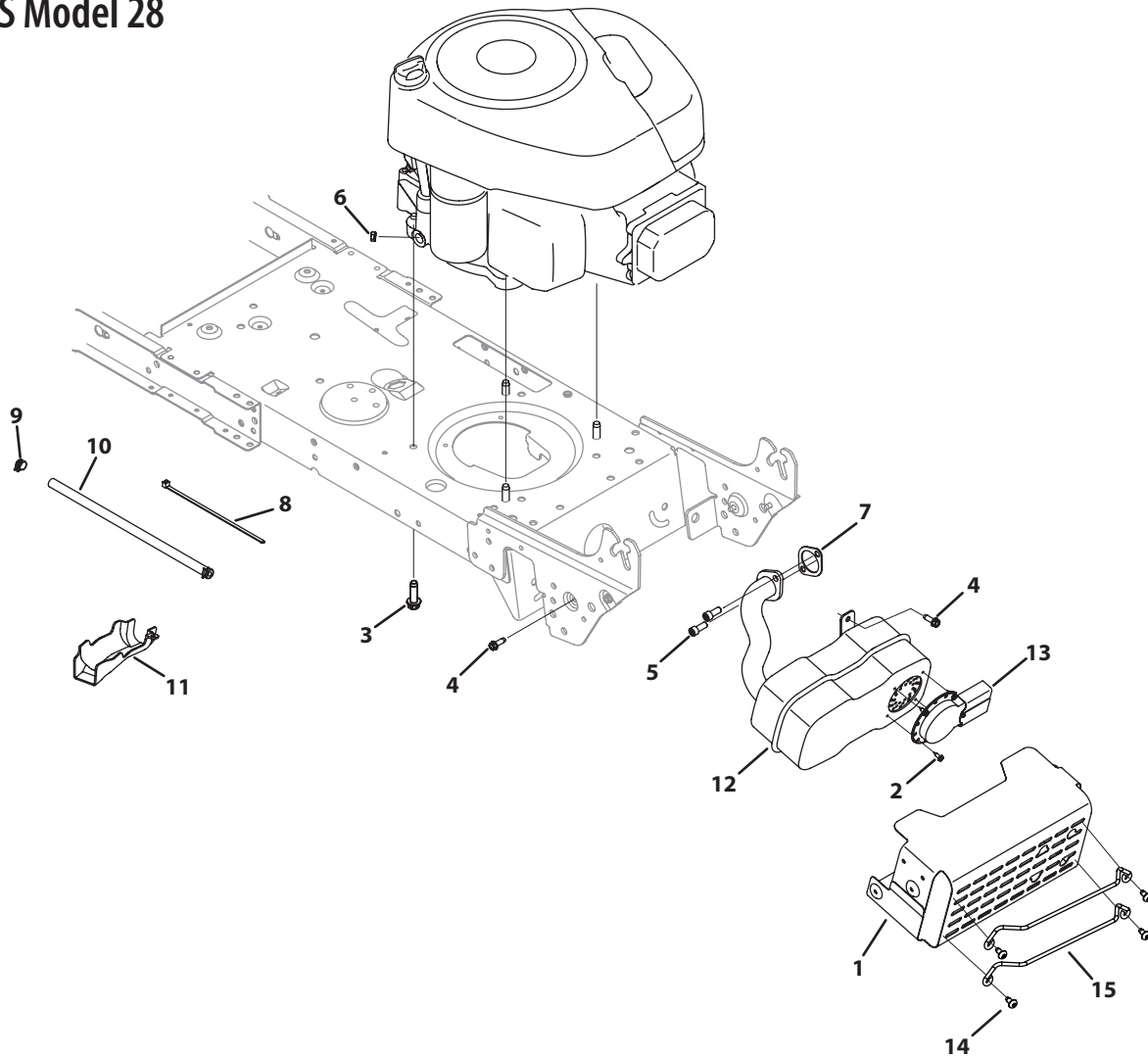
42" Deck



Ref.	Part Number	Description
1.	918-06991	Spindle Ass'y, Pulley, 6.2 Dia
2.	683-0254B	Bracket Ass'y, Deck, Hanger LH
3.	783-08540	Belt Keeper
4.	683-05095	Brake Bracket Assembly, LH
5.	683-05102	Brake Bracket Assembly, RH
6.	683-05136	Deck Assembly, 42"
7.	710-0347	Hex Screw, 3/8-16 x 1.75
8.	710-0376	Hex Cap Screw, 5/16-18 x 1.00
9.	710-04484	Screw, Self-tapping, 5/16-18, .750
10.	710-0528	Hex Screw, 5/16-18, 1.25, Gr5, Std
11.	710-0599	Screw, Self-tapping, 1/4-20, 0.500
12.	710-1260A	Screw, 5/16-18 x 0.750
13.	710-1652	Tap Screw, 1/4-20, 0.625
14.	710-3096	Hex Screw, 3/8-16, 2.00, Gr8, Std
15.	710-3178	Bolt, Carriage, 3/8-16, 0.75, Gr1
16.	712-0229	Nut, Push, 3/8
17.	712-04063	Nut, Flange Lock, 5/16-18, Grf
18.	712-04065	Nut, Flange Lock, 3/8-16, Grf
19.	712-0417A	Nut, Flange, 5/8-18
20.	712-05046	Hex Nut, 1/2-13
21.	714-04043	Bow-Tie Cotter Pin
22.	917-04074	Gear, Deck, Adjustment
23.	720-05010	Cap, .290 x .500
24.	728-05016	Rivet Nut, 3/8-16
25.	732-05149	Torsion Spring, RH
26.	732-05151	Torsion Spring, LH
27.	936-0119	Washer, Lock, 5/16, Regular Duty

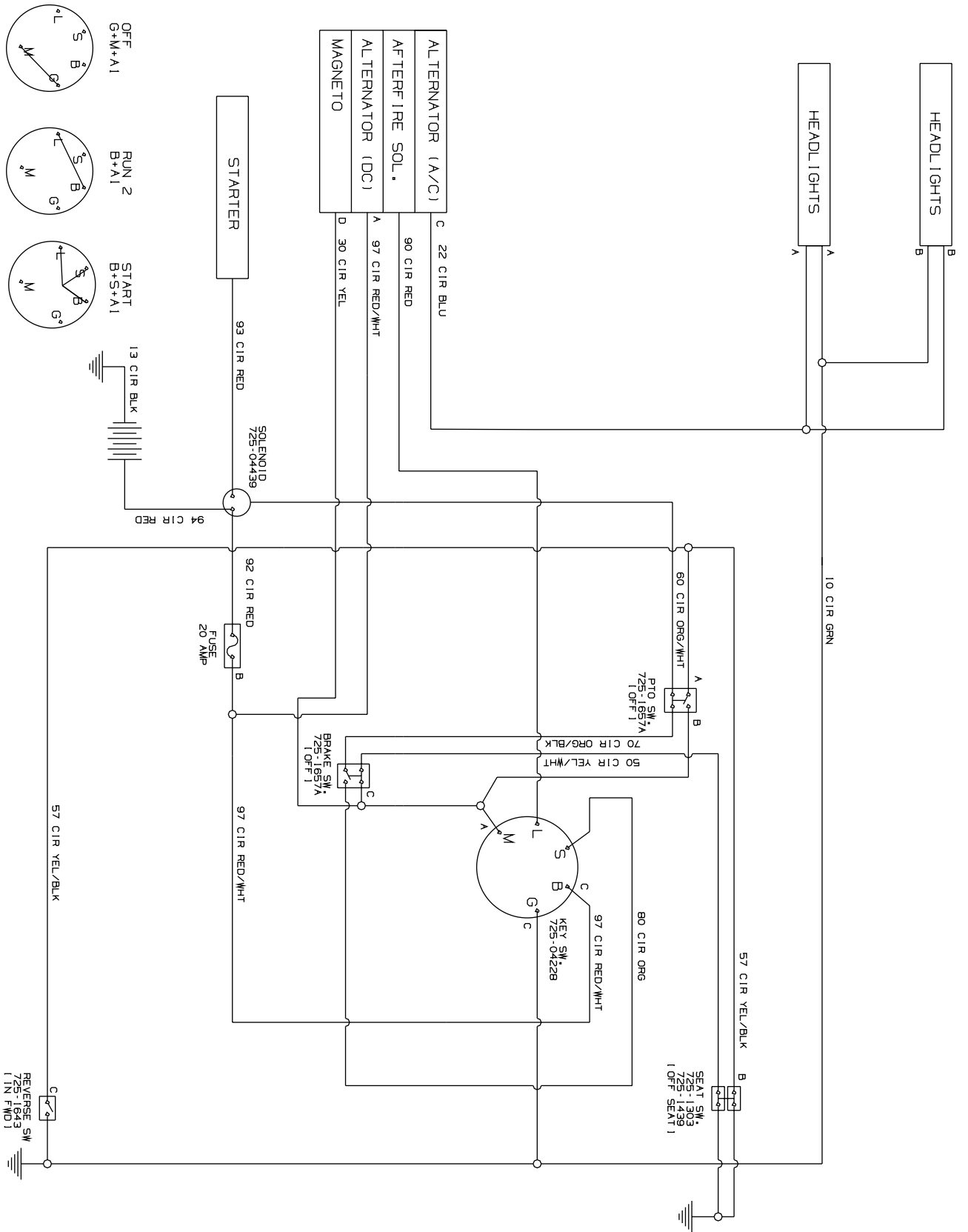
Ref.	Part Number	Description
28.	936-0300	Flat Washer, .406 x .875 x .059
29.	736-04183	Flat Washer, .395 x 1.0 x .062
30.	736-3078	Flat Washer, .344 x 1.0 x .063
31.	738-05064	Shoulder Spacer, .854 x .190
32.	738-05088	Shoulder Spacer, .75 x .145
33.	942-04308	Blade, Cut, 21.23" 2-In-1, Econ
34.	747-05141A	Rod, Lift, Deck, Frt, 12.7
35.	747-06232	Brake Rod
36.	748-04069	Deck Lift Pivot Cup
37.	748-05029A	Shoulder Spacer, Idler
38.	748-05037	Shoulder Spacer, Pivot Idler
39.	754-05056	Belt, V Type, A Sec X 96.5
40.	756-05034	Pulley, Idler, 4.50" Dia
41.	783-06464	Deck Wash Plug
42.	783-08389	Pulley Cap
43.	783-08510	Deck Belt Cover, 42
44.	783-08530	Deck Idler Bracket
45.	936-0351	Washer, Flat, .760 Idx1.50 OD
46.	738-1186A	Shift, Spindle, 6.11.
47.	941-0919B	Bearing, Ball, .787id x 1.85 Odx.551
48.	750-04936	Spacer, .792 x 1.060 x 1.860
49.	756-05031	Pulley, Deck, 5.4 Dia
50.	631-05191	Chut Assembly, 42" Deck
51.	711-04847B	Pin, Hinge, Dia .3125 x 7.96
52.	732-04372	Spring, Torsion, .44 I.D. X 2.0
53.	783-06074A	Chute Bracket

B&S Model 28



Ref.	Part Number	Description
1	683-04549A	Muffler Shield Assembly with Weld
2	710-0227	Screw, 8-18 x .500
3	710-04683B	Screw, 3/8-16 x 1.0
4	710-0642	Screw, 1/4-20 x .750
5	710-1314A	Socket Screw, 5/16-18 x .750
6	712-0271	Sems Nut, 1/4-20
7	BS-692236	Exhaust Gasket, 10 HP Briggs
8	725-0157	Cable Tie
9	726-0205	Clamp Hose, .490 diameter
10	751-10349-28	Fuel Hose, Low Permeation
11	731-05628	Oil Drain Sleeve
12	751-10448D	Muffler, Single Inlet
13	751-11053A	Muffler Deflector Long
14	710-05070A	Screw, 1/4-20 x .500
15	747-06404	Muffler Guard

Wiring Harness Schematic - 725-04567G





To order replacement parts or locate your nearest service dealer call a Customer Support at (800) 800-7310.
or visit www.mtdproducts.com to find the nearest authorized dealer in your area.

MTD LLC, P.O. BOX 361131 CLEVELAND, OHIO 44136-0019
